

C3225JB2E104K200AA

TDK Item Description : C3225JB2E104KT***

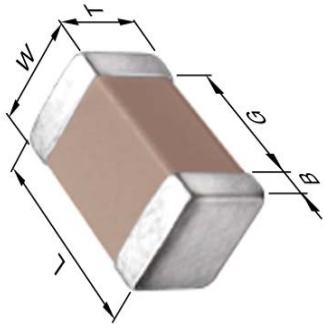


Application & Main Feature

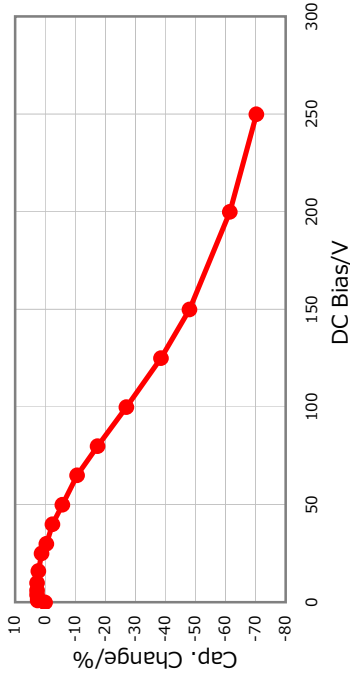
Commercial Grade (Mid Voltage (100 to 630V))

Series

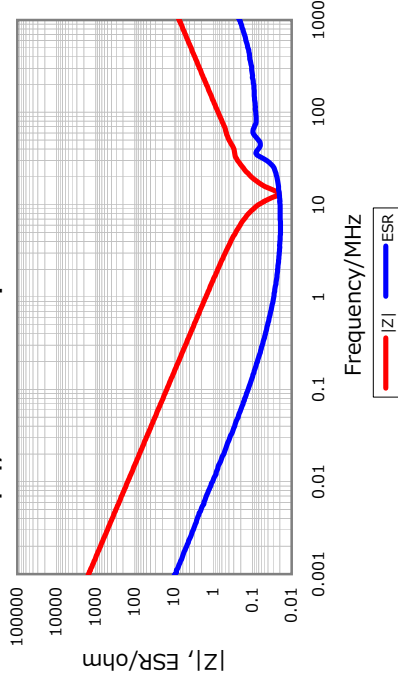
C3225 [EIA CC1210]



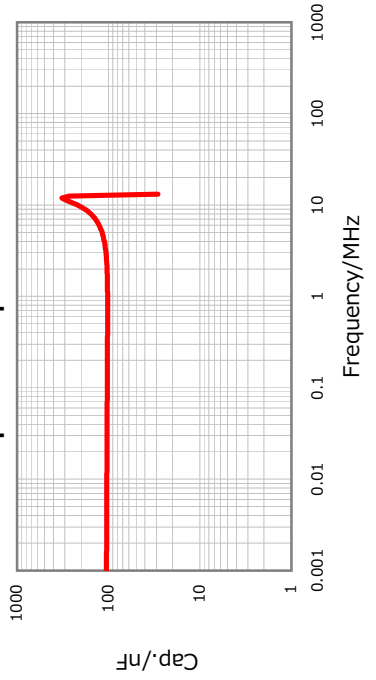
DC Bias Characteristic



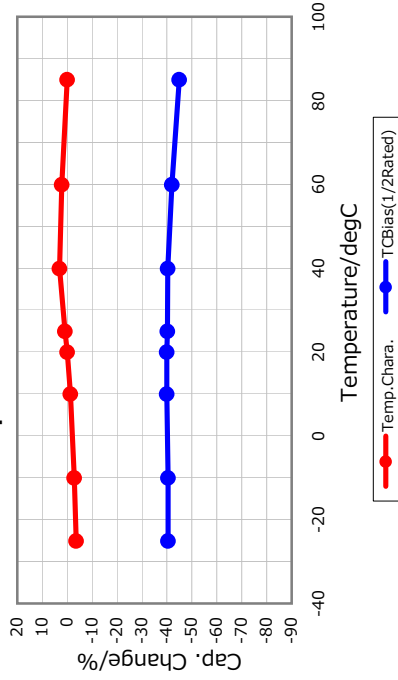
|Z|, ESR vs. Freq. Characteristics



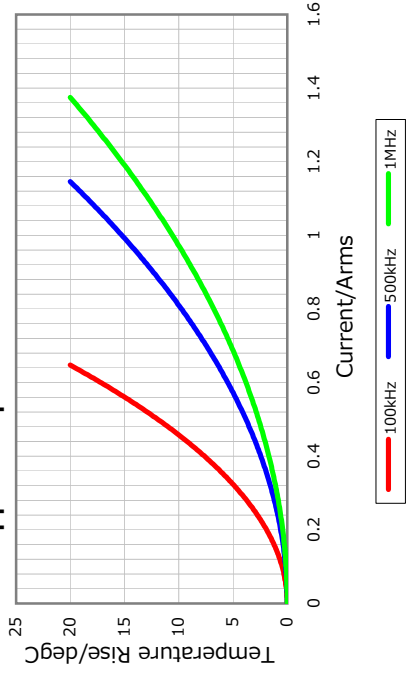
Cap. vs. Freq. Characteristic



Temperature Characteristics



Ripple Temperature Rise Characteristics



Dimensions

- L 3.20mm +/-0.4mm
- W 2.50mm +/-0.3mm
- T 2.00mm +/-0.2mm
- B 0.20mm Min.
- G

Temperature Characteristic

JB (-25 to 85 degC +/-10%)

Rated Voltage

2E (250Vdc)

Capacitance

100nF

Capacitance Tolerance

K (+/-10%)

Dissipation Factor

3% Max.

Insulation Resistance

5Gohm Min.

AEC-Q200

Not Applicable



All specifications are subject to change without notice.

January 4, 2016