

# C4532JB2A225K230KA

TDK Item Description : C4532JB2A225KT\*\*\*\*

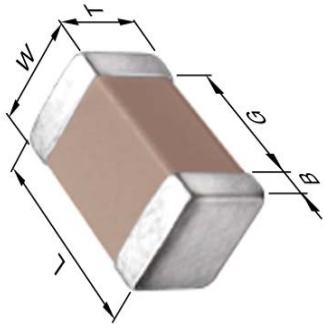


## Application & Main Feature

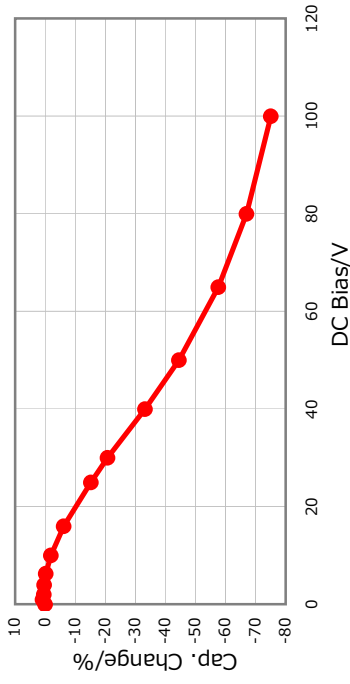
Commercial Grade ( Mid Voltage (100 to 630V) )

## Series

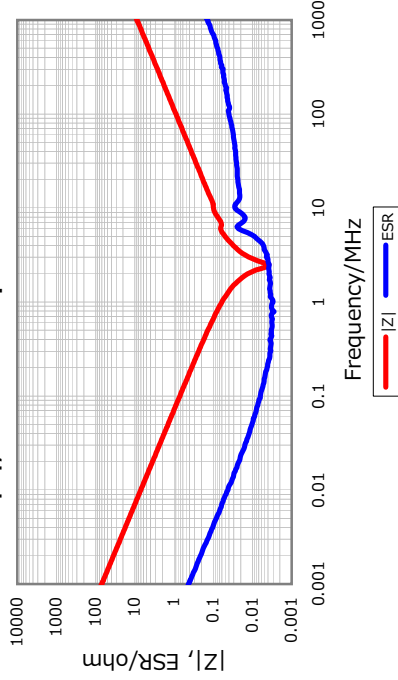
C4532 [EIA CC1812]



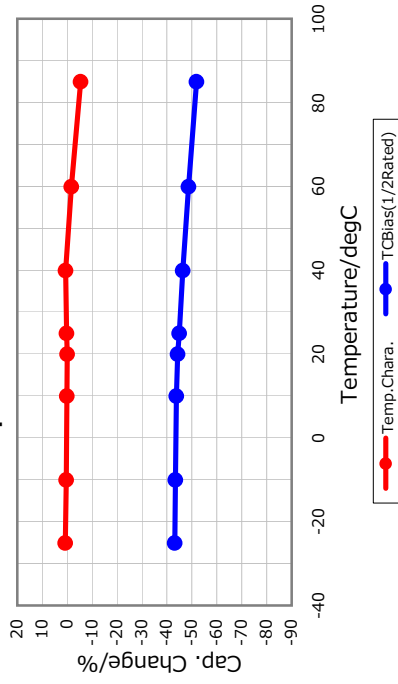
## DC Bias Characteristic



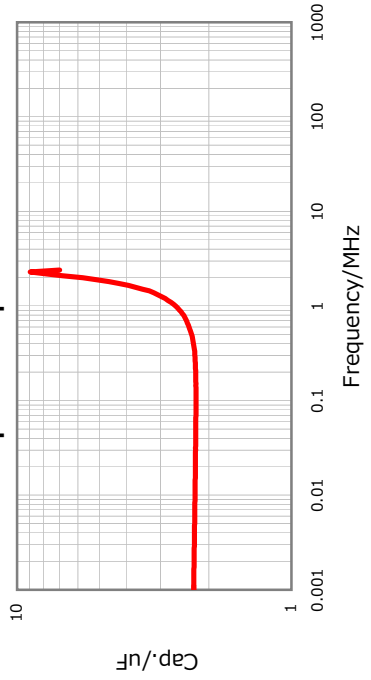
## |Z|, ESR vs. Freq. Characteristics



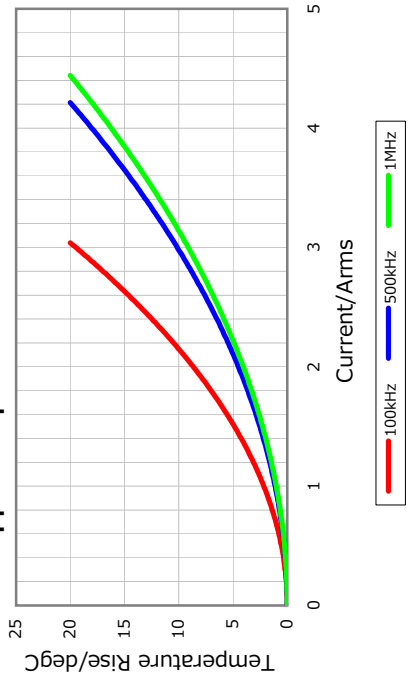
## Temperature Characteristics



## Cap. vs. Freq. Characteristic



## Ripple Temperature Rise Characteristics



## Dimensions

- L 4.50mm +/-0.4mm
- W 3.20mm +/-0.4mm
- T 2.30mm +/-0.2mm
- B 0.20mm Min.
- G

## Temperature Characteristic

JB (-25 to 85 degC +/-10%)

## Rated Voltage

2A (100Vdc)

## Capacitance

2.2uF

## Capacitance Tolerance

K (+/-10%)

## Dissipation Factor

3% Max.

## Insulation Resistance

227Mohm Min.

## AEC-Q200

Not Applicable



All specifications are subject to change without notice.

January 4, 2016