

C1608X7S2A473M080AB

TDK Item Description : C1608X7S2A473MT****

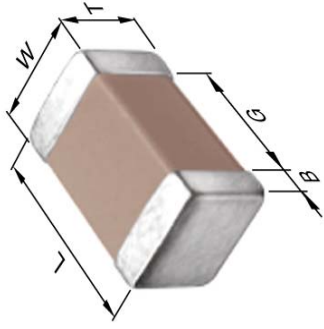


Application & Main Feature

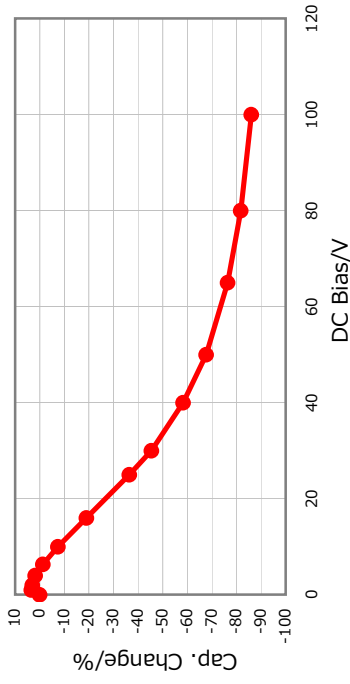
Commercial Grade (Mid Voltage (100 to 630V))

Series

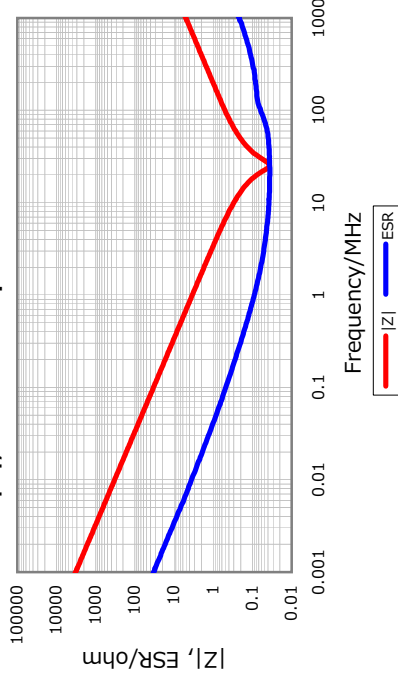
C1608 [EIA CC0603]



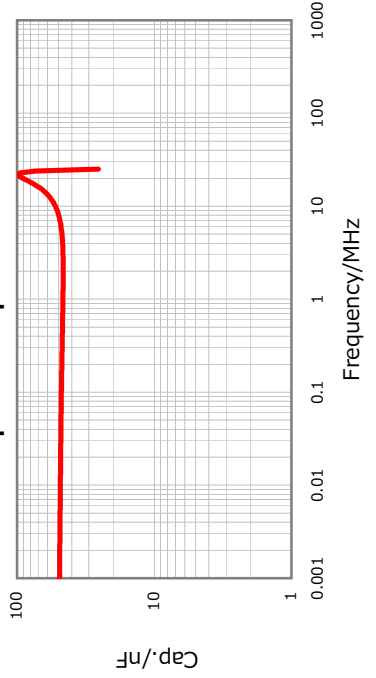
DC Bias Characteristic



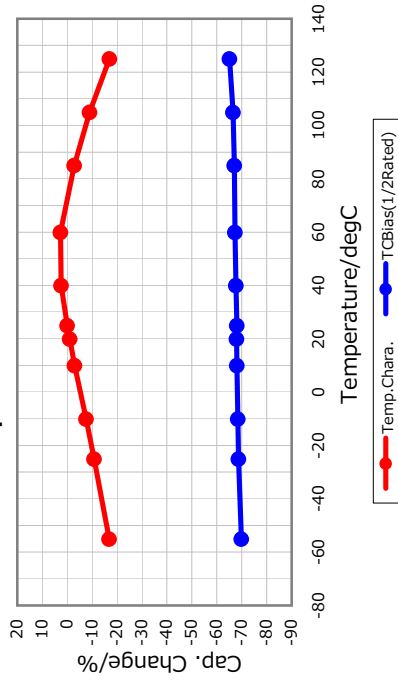
|Z|, ESR vs. Freq. Characteristics



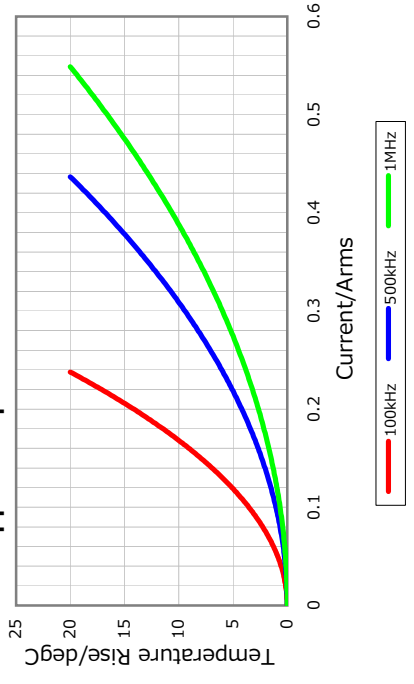
Cap. vs. Freq. Characteristic



Temperature Characteristics



Ripple Temperature Rise Characteristics



Temperature Characteristic

X7S (-55 to 125 degC +/-22%)

Rated Voltage

2A (100Vdc)

Capacitance

47nF

Capacitance Tolerance

M (+/-20%)

Dissipation Factor

5% Max.

Insulation Resistance

10Gohm Min.

AEC-Q200

Not Applicable



All specifications are subject to change without notice.

January 3, 2016