

C5750X5R2A475M230KA

TDK Item Description : C5750X5R2A475MT****

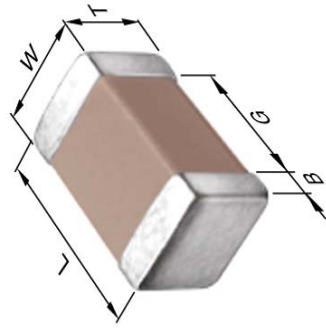


Application & Main Feature

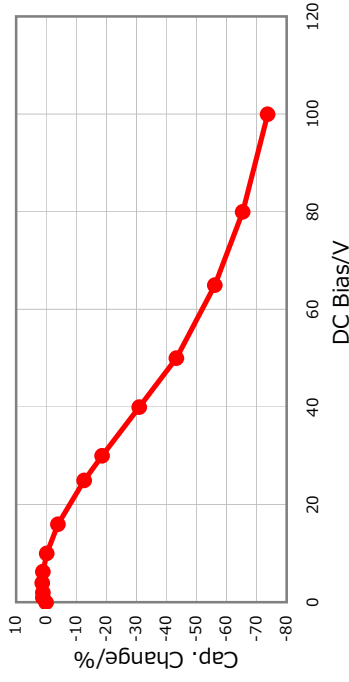
Commercial Grade (Mid Voltage (100 to 630V))

Series

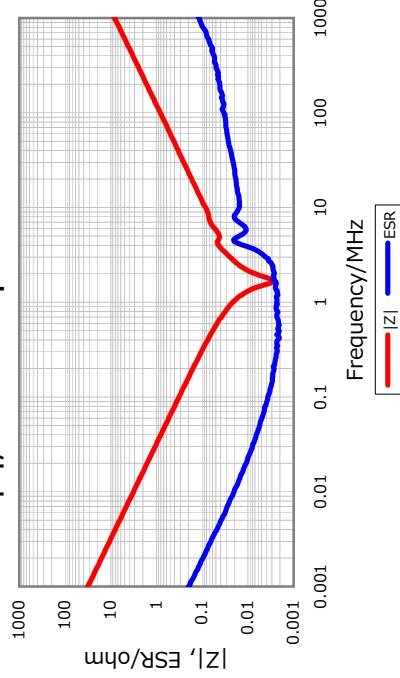
C5750 [EIA CC2220]



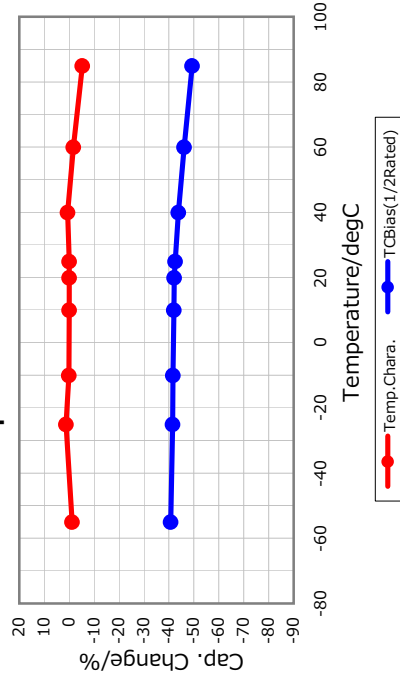
DC Bias Characteristic



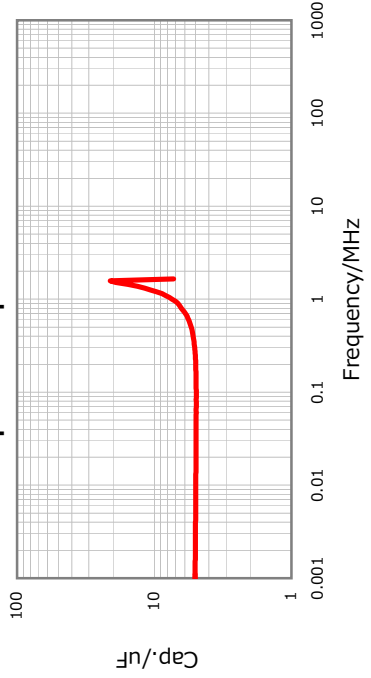
|Z|, ESR vs. Freq. Characteristics



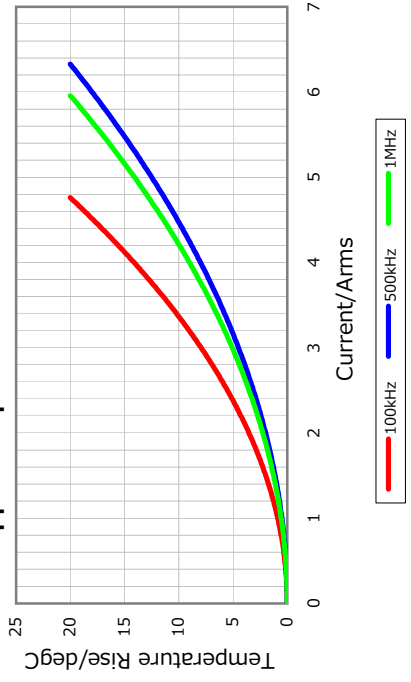
Temperature Characteristics



Cap. vs. Freq. Characteristic



Ripple Temperature Rise Characteristics



Dimensions

- L 5.70mm +/-0.4mm
- W 5.00mm +/-0.4mm
- T 2.30mm +/-0.2mm
- B 0.20mm Min.
- G

Temperature Characteristic

X5R (-55 to 85 degC +/-15%)

Rated Voltage

2A (100Vdc)

Capacitance

4.7uF

Capacitance Tolerance

M (+/-20%)

Dissipation Factor

3% Max.

Insulation Resistance

106Mohm Min.

AEC-Q200

Not Applicable



All specifications are subject to change without notice.

January 4, 2016