

CGA3E2NP01H221J080AA

TDK Item Description : CGA3E2NP01H221JT*****

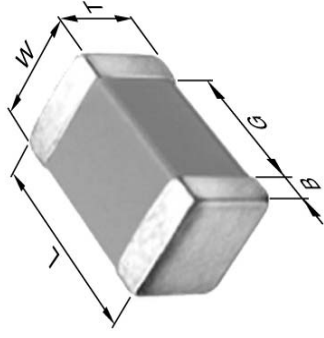
Equivalent C1608NP01H221J for Automotive

Application & Main Feature

Automotive Grade (High Temperature Application)

Series

CGA3(1608) [EIA CC0603]



Dimensions

L	1.60mm	+/-0.1mm
W	0.80mm	+/-0.1mm
T	0.80mm	+/-0.1mm
B	0.20mm	Min.
G	0.30mm	Min.

Temperature Characteristic

NP0 (-55 to 150 degC 0+/-30ppm/degC)

Rated Voltage

1H (50Vdc)

Capacitance

220pF

Capacitance Tolerance

J (+/-5%)

Q Factor

1000 Min.

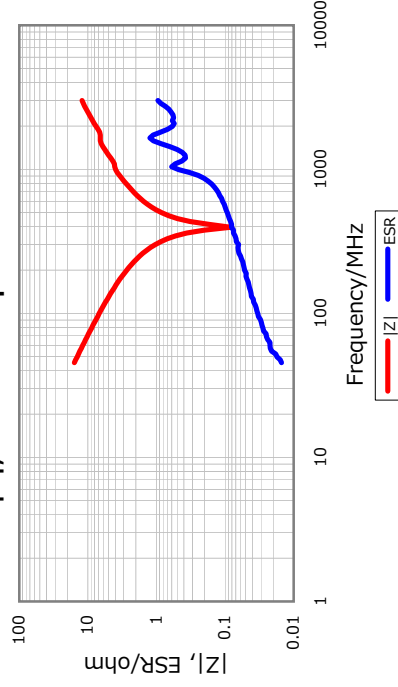
Insulation Resistance

10Gohm Min.

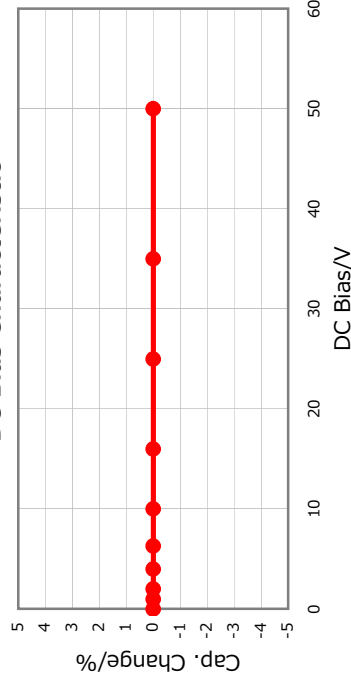
AEC-Q200

Yes

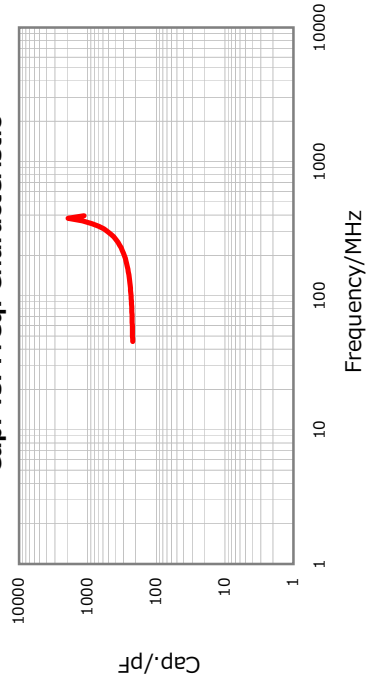
|Z|, ESR vs. Freq. Characteristics



DC Bias Characteristic



Cap. vs. Freq. Characteristic



Temperature Characteristics

