

CGJ4J2X7R1A224K125AA

TDK Item Description : CGJ4J2X7R1A224KT****

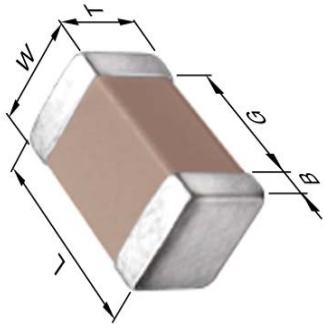


Application & Main Feature

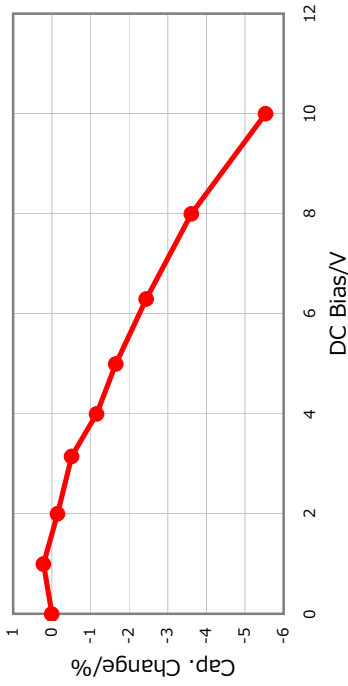
High Reliability Grade (General (Up to 50V))

Series

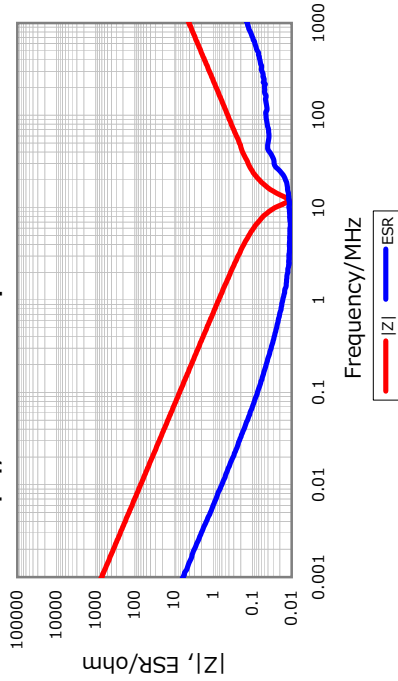
CGJ4(2012) [EIA CC0805]



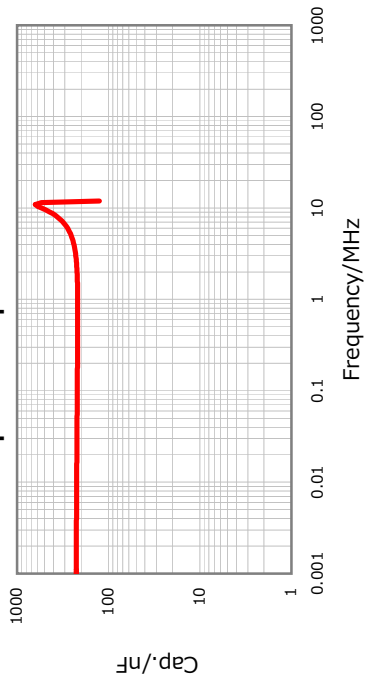
DC Bias Characteristic



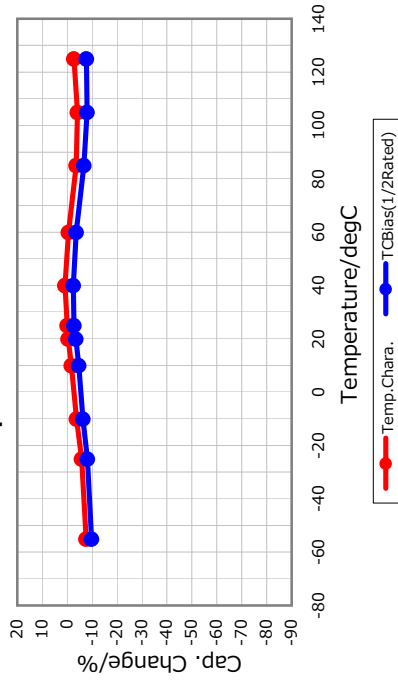
|Z|, ESR vs. Freq. Characteristics



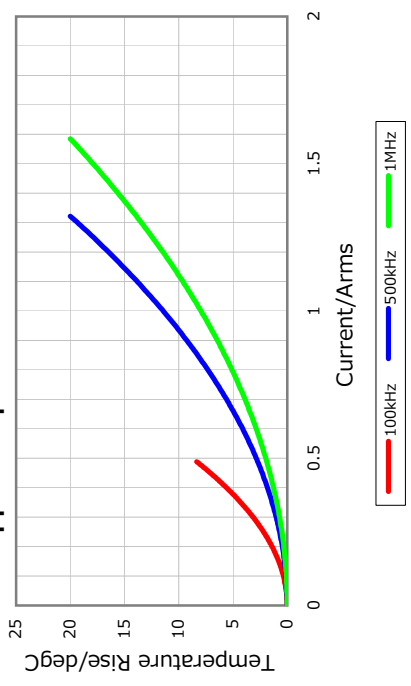
Cap. vs. Freq. Characteristic



Temperature Characteristics



Ripple Temperature Rise Characteristics



Temperature Characteristic

X7R (-55 to 125 degC +/-15%)

Rated Voltage

1A (10Vdc)

Capacitance

220nF

Capacitance Tolerance

K (+/-10%)

Dissipation Factor

7.5% Max.

Insulation Resistance

454Mohm Min.

AEC-Q200

Yes



All specifications are subject to change without notice.

January 4, 2016