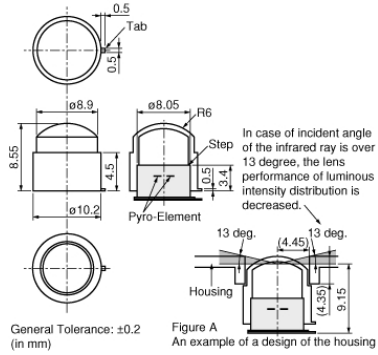


# IML-0687



## Appearance & Shape



## Packaging Information

Packaging	Specifications	Standard Packing Quantity
-	Bulk(Bag)	100

## Features

For LEAD TYPE(IRAS Series)

### Attention

- 1.This datasheet is downloaded from the website of Murata Manufacturing Co., Ltd. Therefore, it's specifications are subject to change or our products in it may be discontinued without advance notice. Please check with our sales representatives or product engineers before ordering.
- 2.This datasheet has only typical specifications because there is no space for detailed specifications. Therefore, please review our product specifications or consult the approval sheet for product specifications before ordering.

# IML-0687

## Specifications

Material	High density polyethylene
Color	Natural(White)
Operating Temperature Range	-25°C to 60°C
Storage Temperature Range	80°C to -30°C

### Attention

- 1.This datasheet is downloaded from the website of Murata Manufacturing Co., Ltd. Therefore, it's specifications are subject to change or our products in it may be discontinued without advance notice. Please check with our sales representatives or product engineers before ordering.
- 2.This datasheet has only typical specifications because there is no space for detailed specifications.  
Therefore, please review our product specifications or consult the approval sheet for product specifications before ordering.