

CGA4J2NP01H223J125AA

TDK Item Description : CGA4J2NP01H223JT***



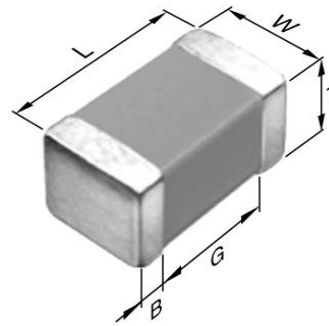
Equivalent C2012NP01H223J for Automotive

Application & Main Feature

Automotive Grade (High Temperature Application)

Series

CGA4(2012) [EIA 0805]



Dimensions

| | |
|---|----------------|
| L | 2.00mm ±0.20mm |
| W | 1.25mm ±0.20mm |
| T | 1.25mm ±0.20mm |
| B | 0.20mm Min. |
| G | 0.50mm Min. |

Temperature Characteristic

NP0 (-55 to 150 degC 0+/-30ppm/degC)

Rated Voltage

1H(50Vdc)

Capacitance

22nF

Capacitance Tolerance

J (±5%)

Q Factor

1000 Min.

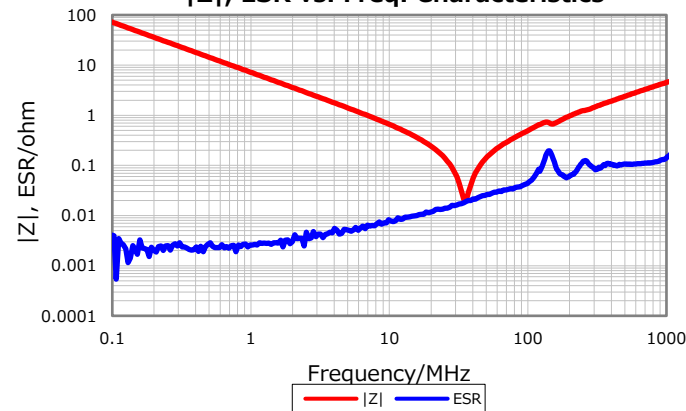
Insulation Resistance

10Gohm Min

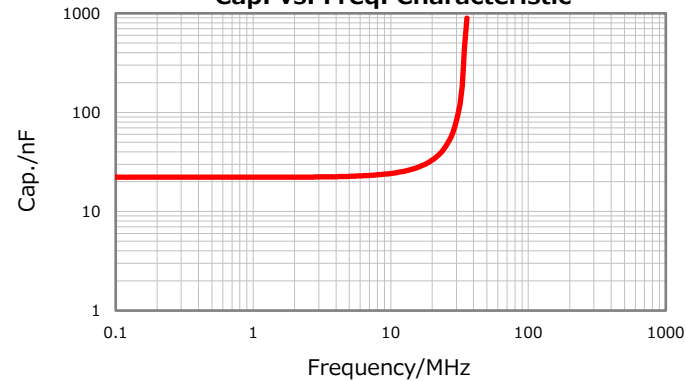
AEC-Q200

Yes

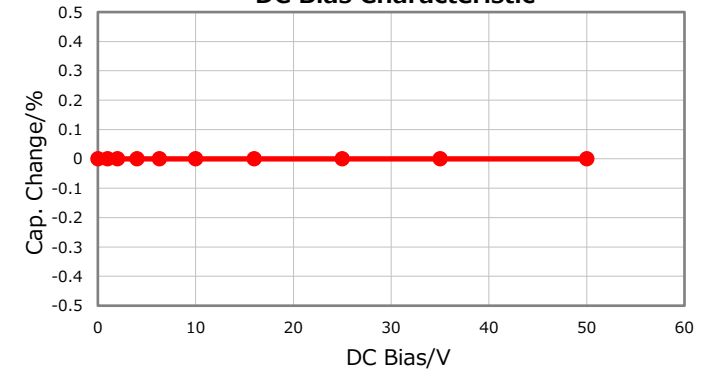
|Z|, ESR vs. Freq. Characteristics



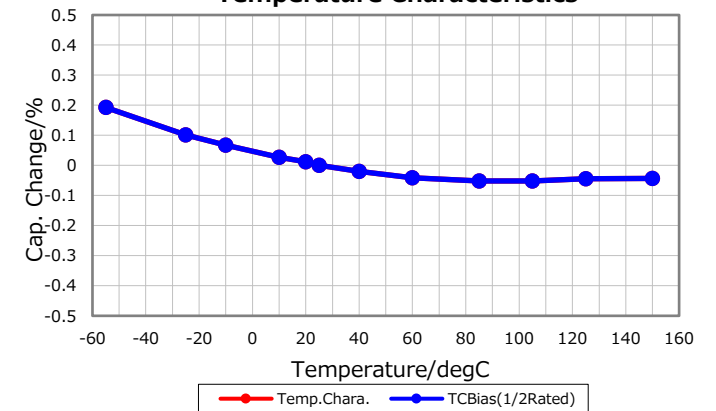
Cap. vs. Freq. Characteristic



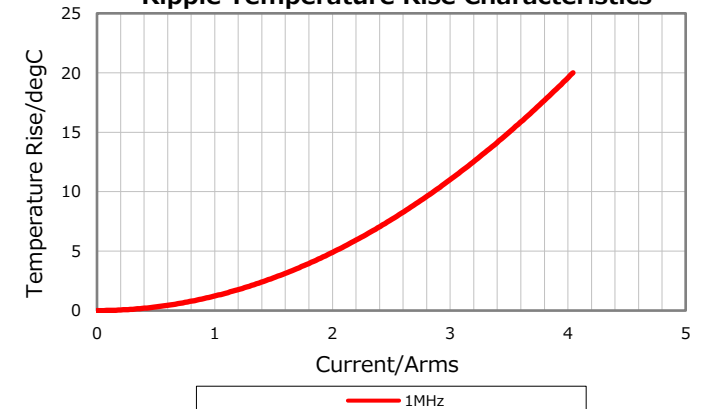
DC Bias Characteristic



Temperature Characteristics



Ripple Temperature Rise Characteristics



Characterization Sheet (Multilayer Ceramic Chip Capacitors)



All specifications are subject to change without notice.

May 22, 2019