

C3225X5R2E224M200AA

TDK Item Description : C3225X5R2E224MT****

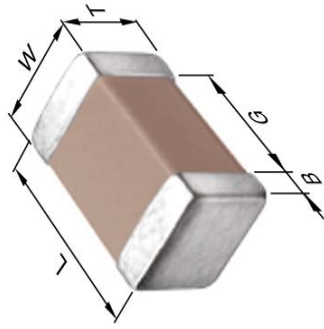


Application & Main Feature

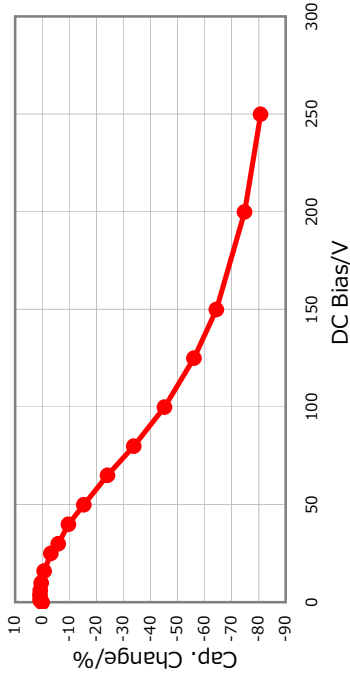
Commercial Grade (Mid Voltage (100 to 630V))

Series

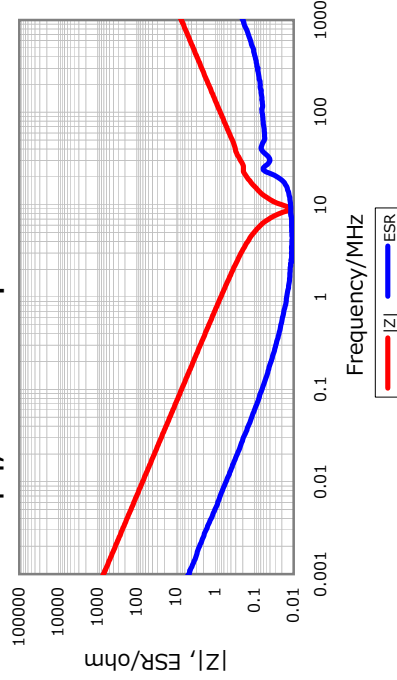
C3225 [EIA CC1210]



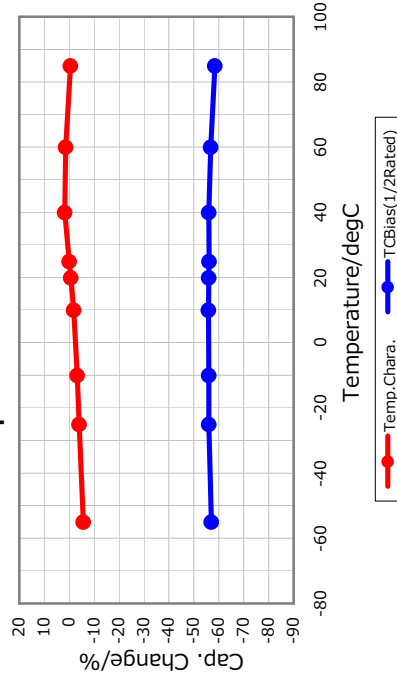
DC Bias Characteristic



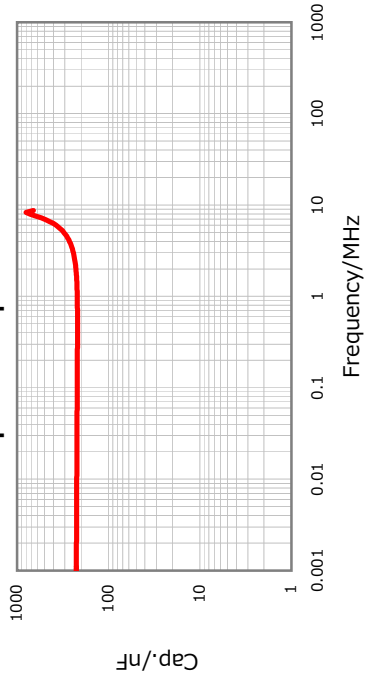
|Z|, ESR vs. Freq. Characteristics



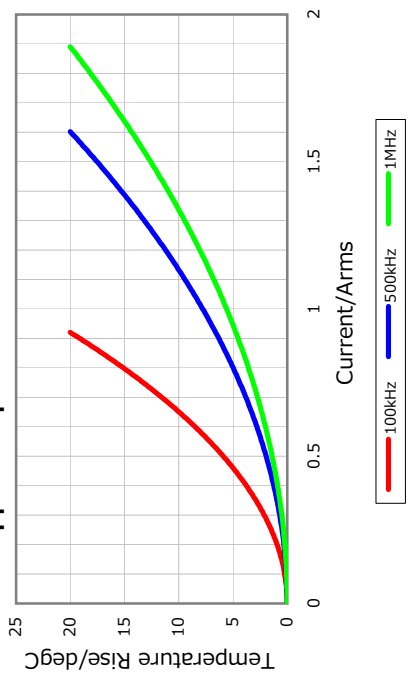
Temperature Characteristics



Cap. vs. Freq. Characteristic



Ripple Temperature Rise Characteristics



Dimensions

- L 3.20mm +/-0.4mm
- W 2.50mm +/-0.3mm
- T 2.00mm +/-0.2mm
- B 0.20mm Min.
- G

Temperature Characteristic

X5R (-55 to 85 degC +/-15%)

Rated Voltage

2E (250Vdc)

Capacitance

220nF

Capacitance Tolerance

M (+/-20%)

Dissipation Factor

3% Max.

Insulation Resistance

2.27Gohm Min.

AEC-Q200

Not Applicable



All specifications are subject to change without notice.

January 4, 2016