

C5750X7R2E684K230KA

TDK Item Description : C5750X7R2E684KT****

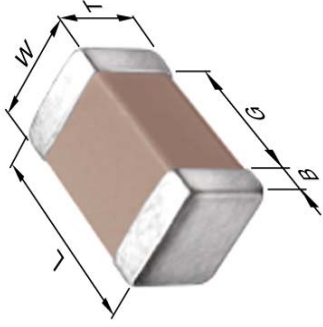


Application & Main Feature

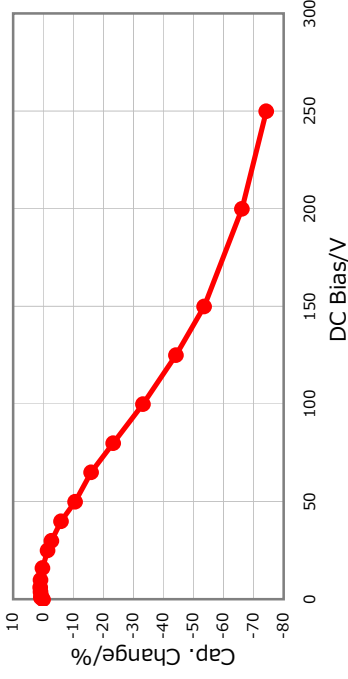
Commercial Grade (Mid Voltage (100 to 630V))

Series

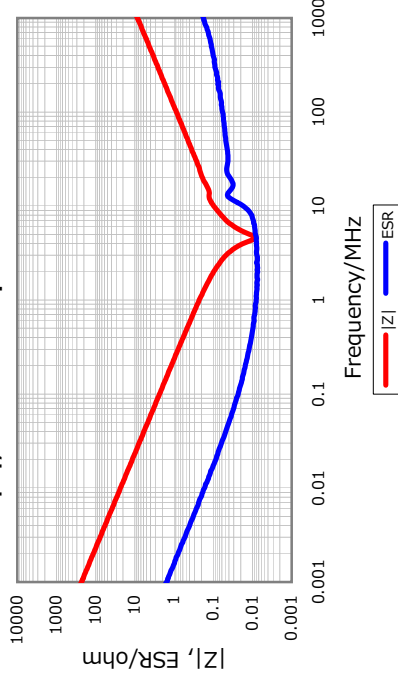
C5750 [EIA CC2220]



DC Bias Characteristic



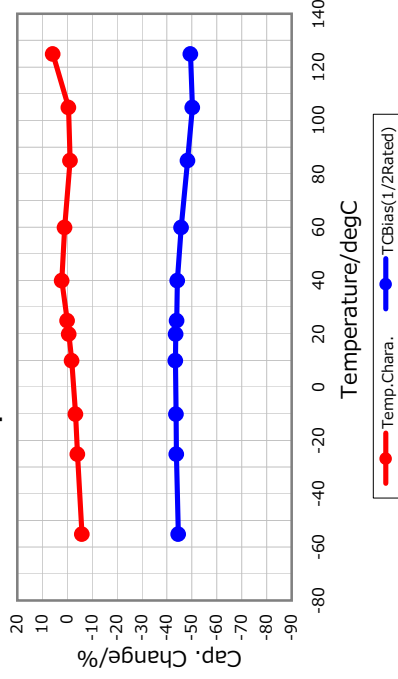
|Z|, ESR vs. Freq. Characteristics



Temperature Characteristic

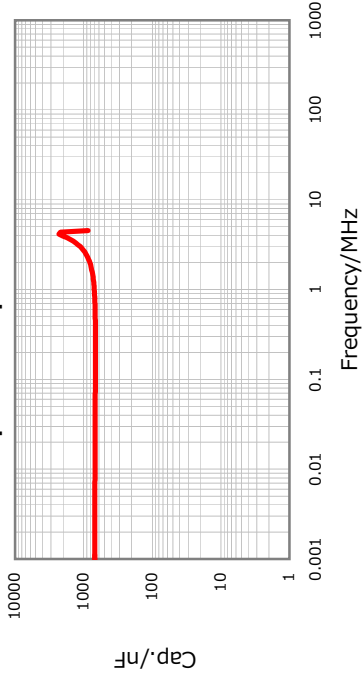
X7R (-55 to 125 degC +/-15%)

Temperature Characteristics

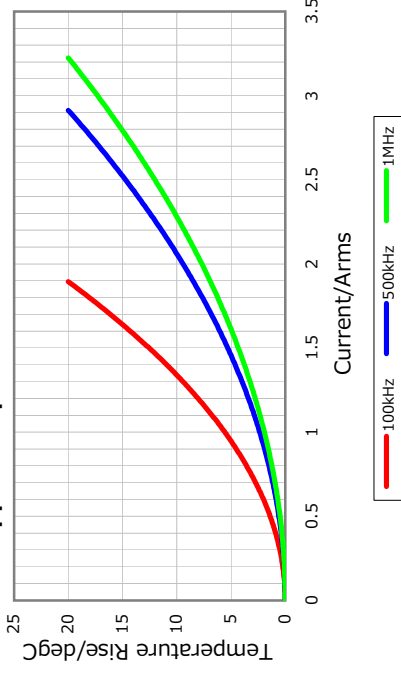


Characterization Sheet (Multilayer Ceramic Chip Capacitors)

Cap. vs. Freq. Characteristic



Ripple Temperature Rise Characteristics



All specifications are subject to change without notice.

January 4, 2016