

CGA2B2C0G1H330J050BD

TDK Item Description : CGA2B2C0G1H330JT***B



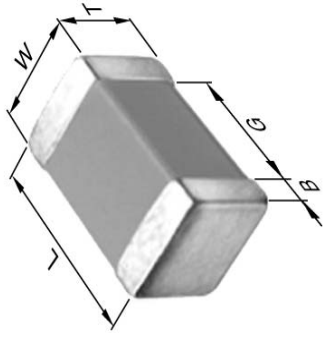
Equivalent C1005C0G1H330J for Automotive

Application & Main Feature

Automotive Grade (Conductive Epoxy Application)

Series

CGA2(1005) [EIA CC0402]



Dimensions

| | | |
|---|--------|-----------|
| L | 1.00mm | +/-0.15mm |
| W | 0.50mm | +/-0.1mm |
| T | 0.50mm | +/-0.1mm |
| B | 0.10mm | Min. |
| G | 0.30mm | Min. |

Temperature Characteristic

C0G (-55 to 125 degC 0+/-30ppm/degC)

Rated Voltage

1H (50Vdc)

Capacitance

33pF

Capacitance Tolerance

J (+/-5%)

Q Factor

1000 Min.

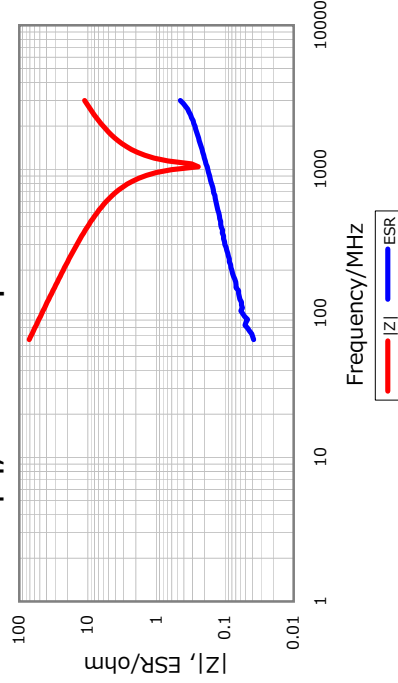
Insulation Resistance

10Gohm Min.

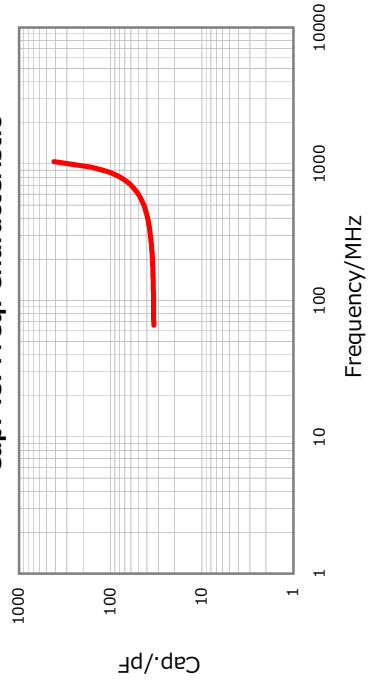
AEC-Q200

Yes

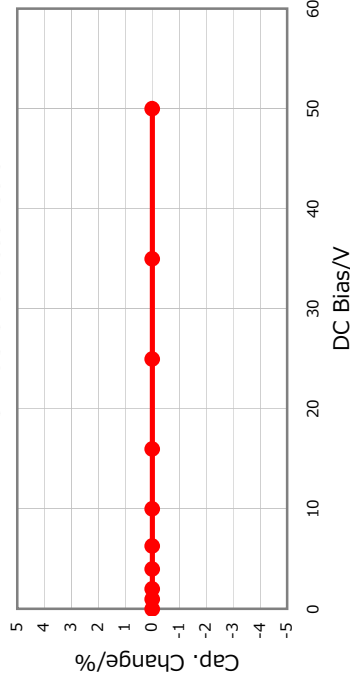
|Z|, ESR vs. Freq. Characteristics



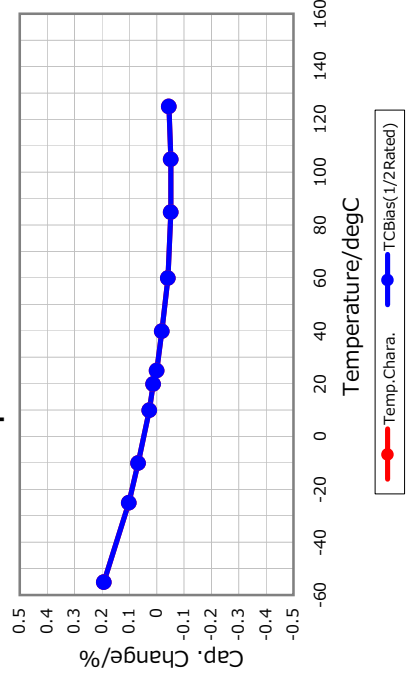
Cap. vs. Freq. Characteristic



DC Bias Characteristic



Temperature Characteristics



All specifications are subject to change without notice.

January 4, 2016