

CGA5K4X7R2J223M130AA

TDK Item Description : CGA5K4X7R2J223MT*****

Equivalent C3216X7R2J223M for Automotive

Application & Main Feature

Automotive Grade (Mid Voltage (100 to 630V))

Series

CGA5(3216) [EIA CC1206]

Dimensions

| | | |
|---|--------|----------|
| L | 3.20mm | +/-0.2mm |
| W | 1.60mm | +/-0.2mm |
| T | 1.30mm | +/-0.2mm |
| B | 0.20mm | Min. |
| G | 1.00mm | Min. |

Temperature Characteristic

X7R (-55 to 125 degC +/-15%)

Rated Voltage

2J (630Vdc)

Capacitance

22nF

Capacitance Tolerance

M (+/-20%)

Dissipation Factor

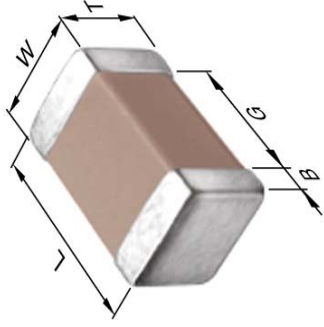
3% Max.

Insulation Resistance

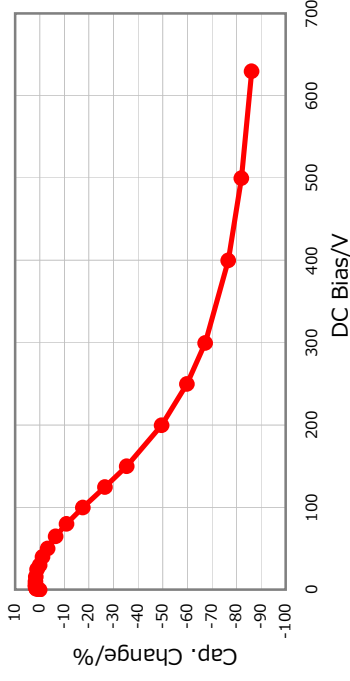
10Gohm Min.

AEC-Q200

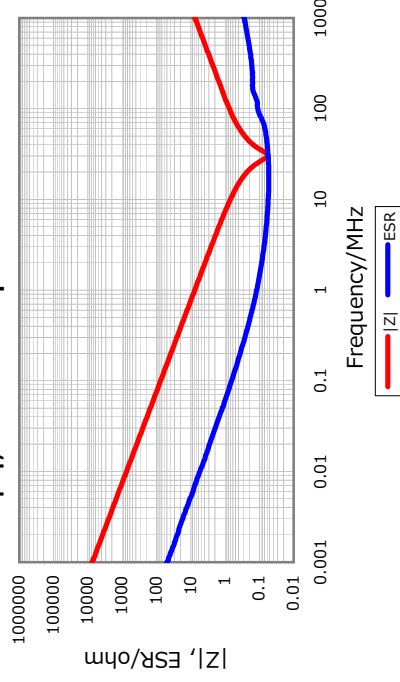
Yes



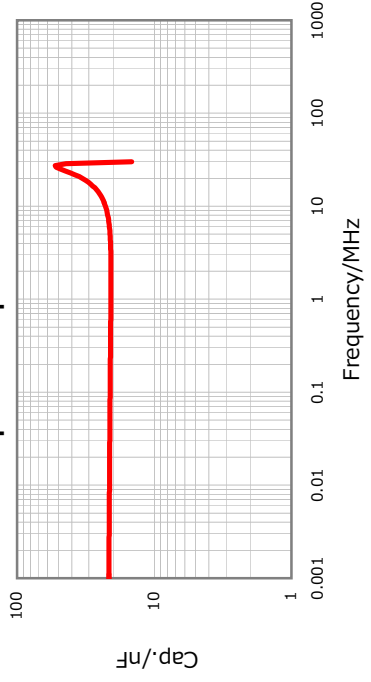
DC Bias Characteristic



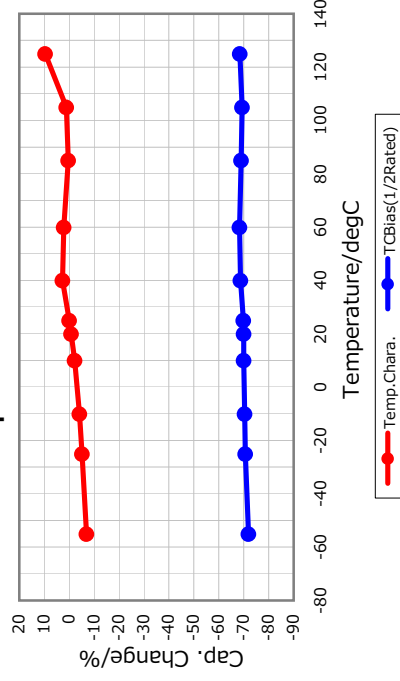
|Z|, ESR vs. Freq. Characteristics



Cap. vs. Freq. Characteristic



Temperature Characteristics



Ripple Temperature Rise Characteristics

