

# C1005X8R1H471K050BA

TDK Item Description : C1005X8R1H471KT\*\*\*\*

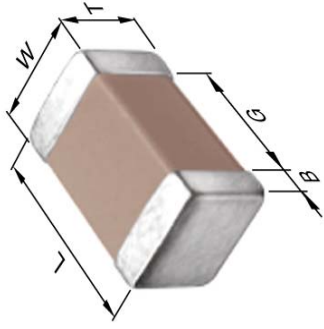


## Application & Main Feature

Commercial Grade ( High Temperature Application )

## Series

C1005 [EIA CC0402]



### Dimensions

L	1.00mm	+/-0.05mm
W	0.50mm	+/-0.05mm
T	0.50mm	+/-0.05mm
B	0.10mm	Min.
G	0.30mm	Min.

### Temperature Characteristic

X8R (-55 to 150 degC +/-15%)

### Rated Voltage

1H (50Vdc)

### Capacitance

470pF

### Capacitance Tolerance

K (+/-10%)

### Dissipation Factor

3% Max.

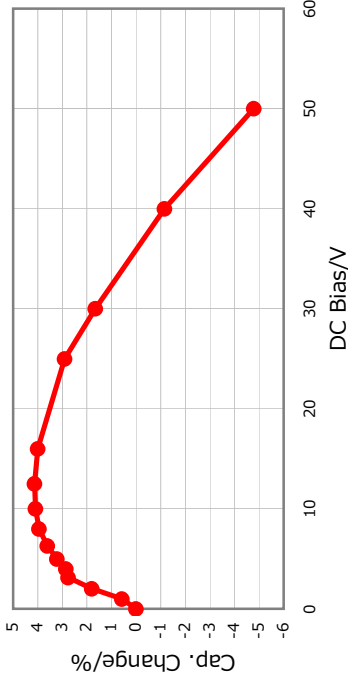
### Insulation Resistance

10Gohm Min.

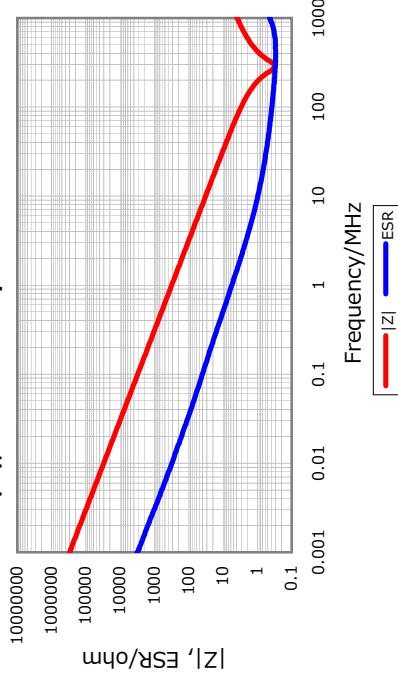
### AEC-Q200

Not Applicable

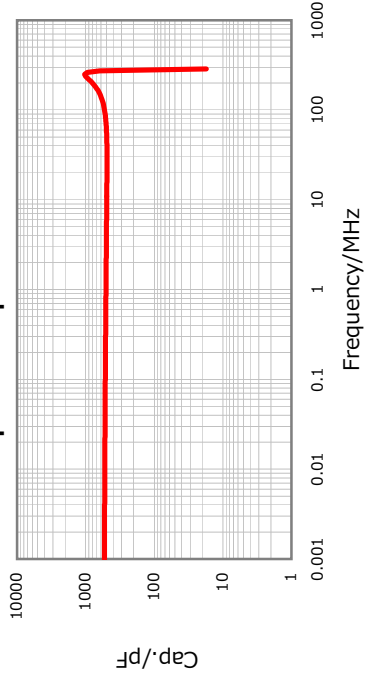
### DC Bias Characteristic



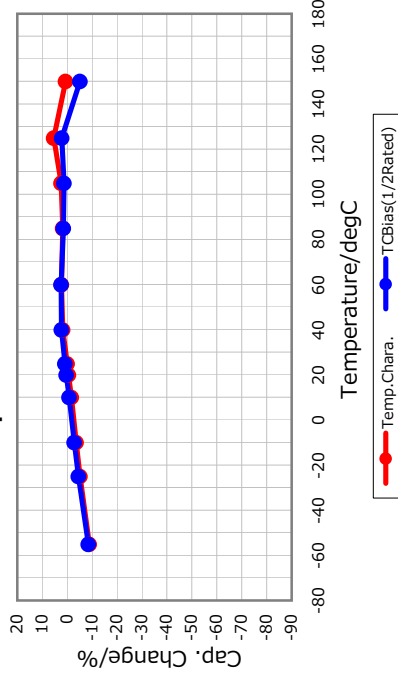
### |Z|, ESR vs. Freq. Characteristics



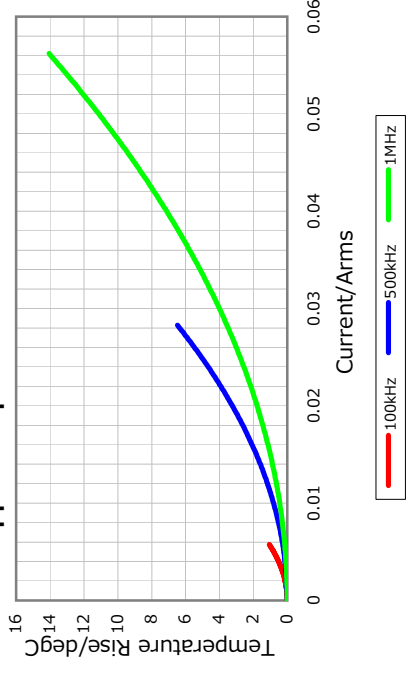
### Cap. vs. Freq. Characteristic



### Temperature Characteristics



### Ripple Temperature Rise Characteristics



All specifications are subject to change without notice.

January 3, 2016