

CGA6M3X7T2E334K200AA

TDK Item Description : CGA6M3X7T2E334KT*****

Equivalent C3225X7T2E334K for Automotive

Application & Main Feature

Automotive Grade (Mid Voltage (100 to 630V))

Series

CGA6(3225) [EIA CC1210]

Dimensions

L 3.20mm +/-0.4mm
 W 2.50mm +/-0.3mm
 T 2.00mm +/-0.2mm
 B 0.20mm Min.
 G

Temperature Characteristic

X7T (-55 to 125 degC +22,-33%)

Rated Voltage

2E (250Vdc)

Capacitance

330nF

Capacitance Tolerance

K (+/-10%)

Dissipation Factor

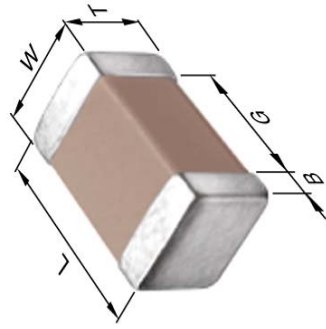
2.5% Max.

Insulation Resistance

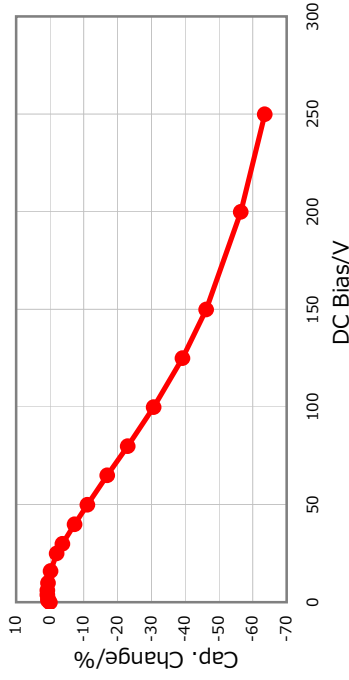
1.52Gohm Min.

AEC-Q200

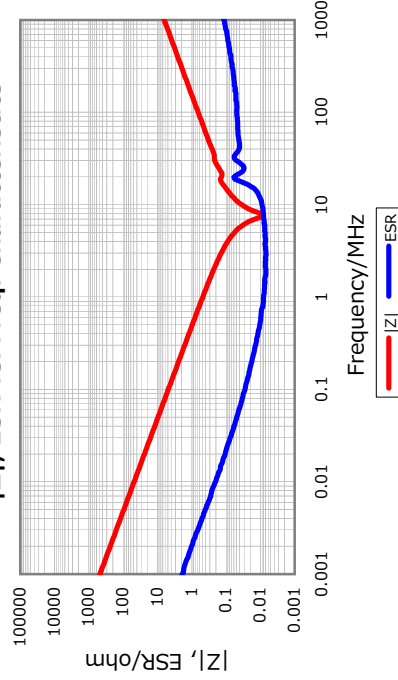
Yes



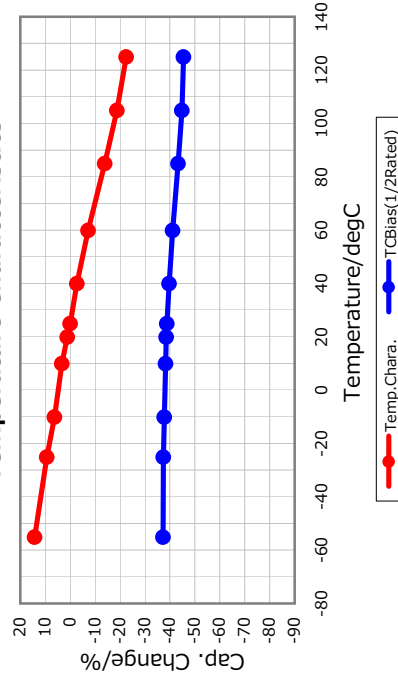
DC Bias Characteristic



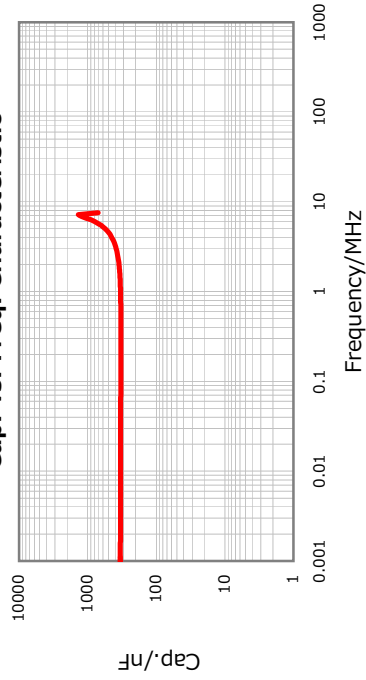
|Z|, ESR vs. Freq. Characteristics



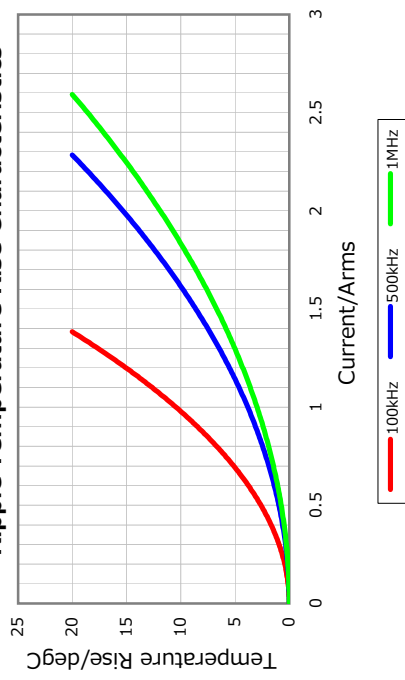
Temperature Characteristics



Cap. vs. Freq. Characteristic



Ripple Temperature Rise Characteristics



All specifications are subject to change without notice.

January 4, 2016