

C3216X7S0J226M160AB

TDK Item Description : C3216X7S0J226MT****

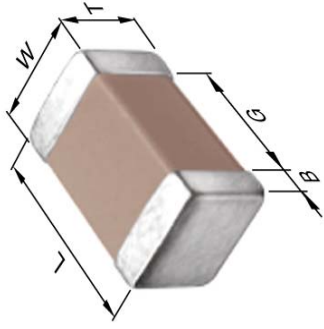


Application & Main Feature

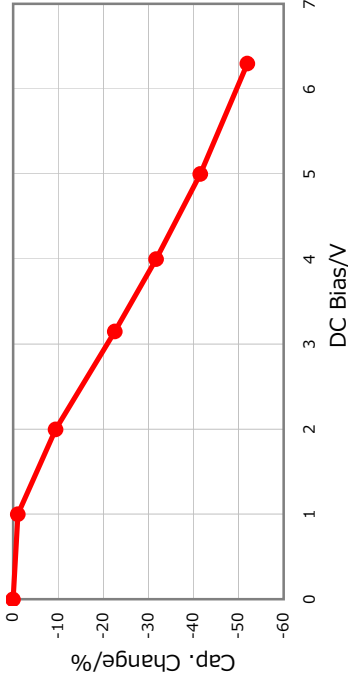
Commercial Grade (General (Up to 50V))

Series

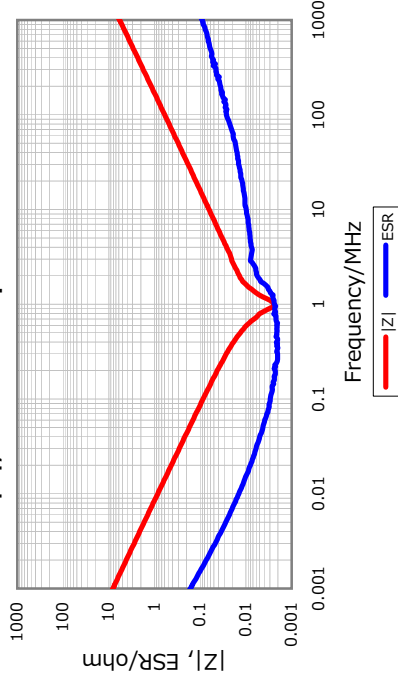
C3216 [EIA CC1206]



DC Bias Characteristic



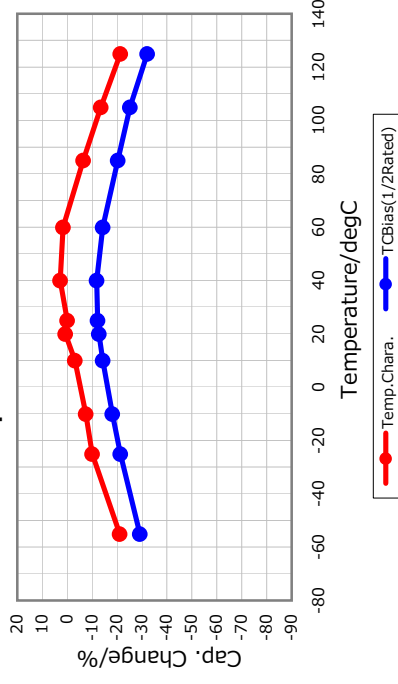
|Z|, ESR vs. Freq. Characteristics



Temperature Characteristic

X7S (-55 to 125 degC +/-22%)

Temperature Characteristics



Rated Voltage

0J (6.3Vdc)

Capacitance

22uF

Capacitance Tolerance

M (+/-20%)

Dissipation Factor

10% Max.

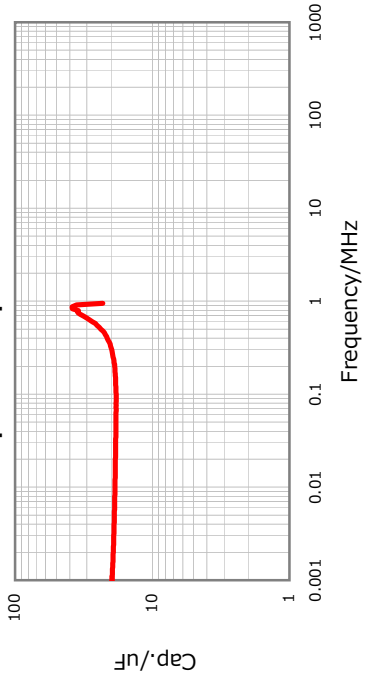
Insulation Resistance

4Mohm Min.

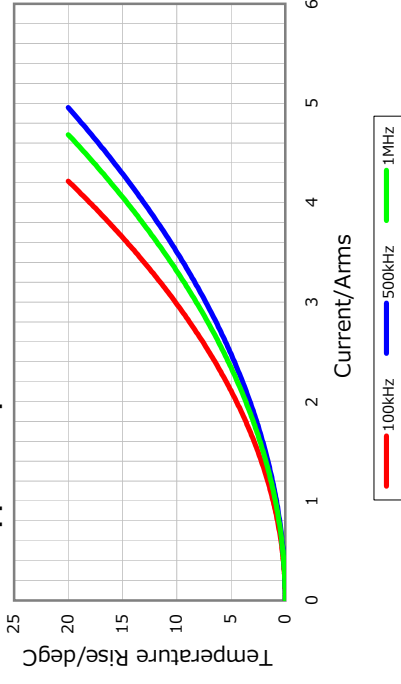
AEC-Q200

Not Applicable

Cap. vs. Freq. Characteristic



Ripple Temperature Rise Characteristics



All specifications are subject to change without notice.

January 3, 2016