

# CGJ4C2C0G1H332J060AA

TDK Item Description : CGJ4C2C0G1H332JT\*\*\*\*\*

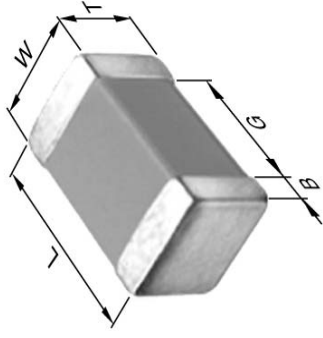


## Application & Main Feature

High Reliability Grade ( General (Up to 50V) )

## Series

CGJ4(2012) [EIA CC0805]



## Dimensions

L	2.00mm	+/-0.2mm
W	1.25mm	+/-0.2mm
T	0.60mm	+/-0.15mm
B	0.20mm	Min.
G	0.50mm	Min.

## Temperature Characteristic

C0G (-55 to 125 degC 0+/-30ppm/degC)

## Rated Voltage

1H (50Vdc)

## Capacitance

3.3nF

## Capacitance Tolerance

J (+/-5%)

## Q Factor

1000 Min.

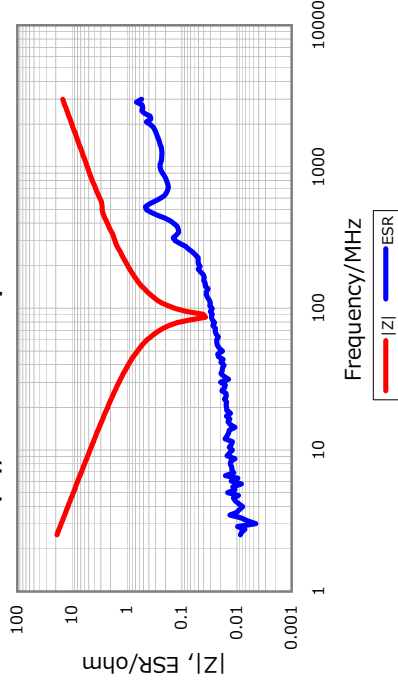
## Insulation Resistance

10Gohm Min.

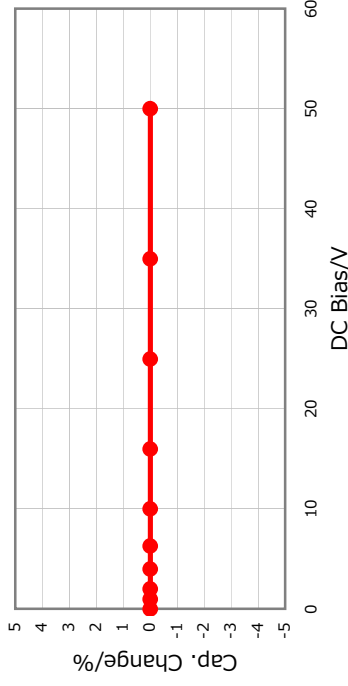
## AEC-Q200

Yes

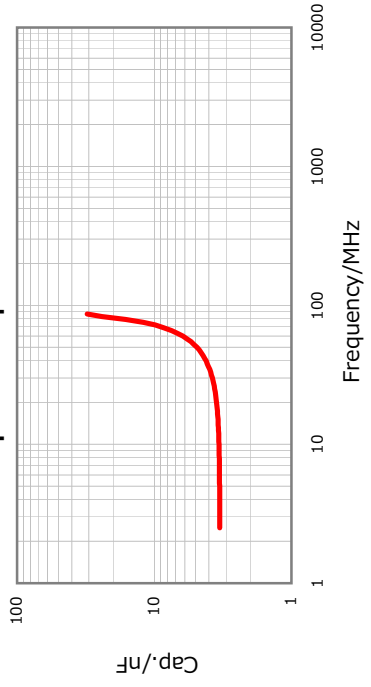
## |Z|, ESR vs. Freq. Characteristics



## DC Bias Characteristic



## Cap. vs. Freq. Characteristic



## Temperature Characteristics

