

# C4532X7T2E105K250KA

TDK Item Description : C4532X7T2E105KT\*\*\*\*



## Application & Main Feature

Commercial Grade ( Mid Voltage (100 to 630V) )

## Series

C4532 [EIA CC1812]

### Dimensions

L	4.50mm	+/-0.4mm
W	3.20mm	+/-0.4mm
T	2.50mm	+/-0.3mm
B	0.20mm Min.	
G		

### Temperature Characteristic

X7T (-55 to 125 degC +22,-33%)

### Rated Voltage

2E (250Vdc)

### Capacitance

1uF

### Capacitance Tolerance

K (+/-10%)

### Dissipation Factor

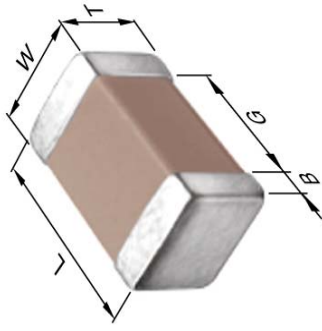
2.5% Max.

### Insulation Resistance

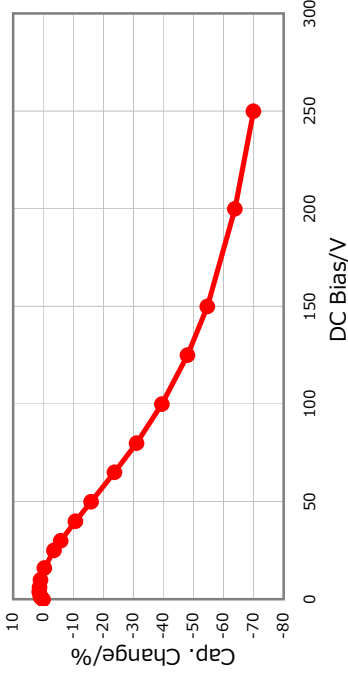
500Mohm Min.

### AEC-Q200

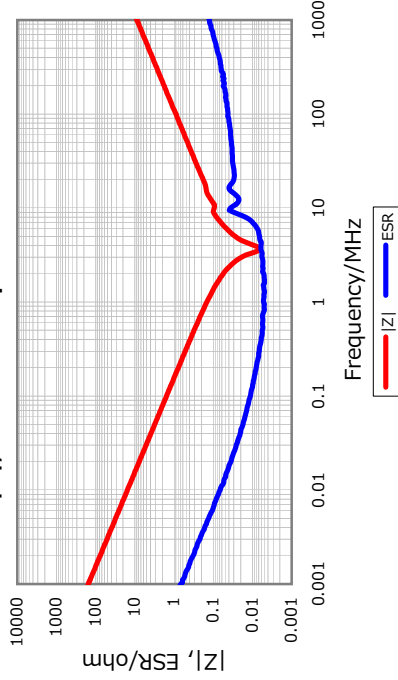
Not Applicable



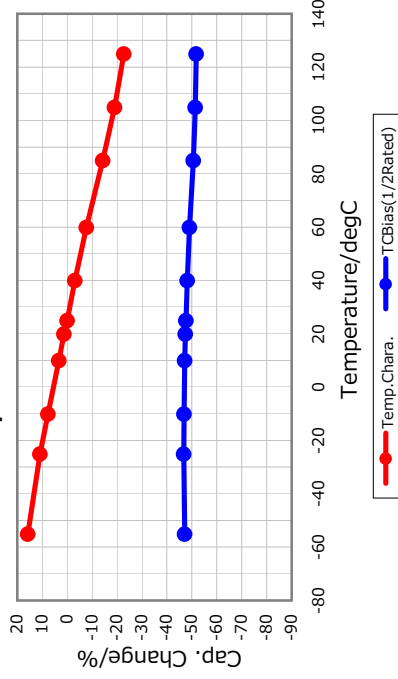
## DC Bias Characteristic



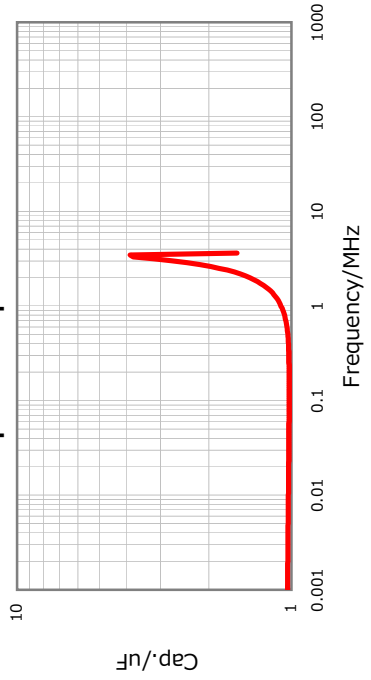
## |Z|, ESR vs. Freq. Characteristics



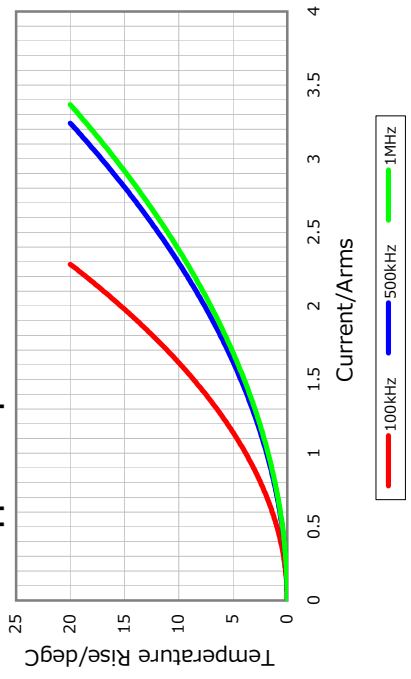
## Temperature Characteristics



## Cap. vs. Freq. Characteristic



## Ripple Temperature Rise Characteristics



All specifications are subject to change without notice.

January 4, 2016