

C5750C0G2J104K280KC

TDK Item Description : C5750C0G2J104KT****

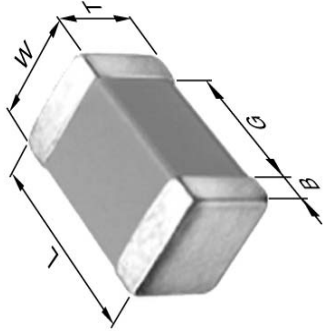


Application & Main Feature

Commercial Grade (Mid Voltage (100 to 630V))

Series

C5750 [EIA CC2220]



Dimensions

| | | |
|---|-------------|----------|
| L | 5.70mm | +/-0.4mm |
| W | 5.00mm | +/-0.4mm |
| T | 2.80mm | +/-0.3mm |
| B | 0.20mm Min. | |
| G | | |

Temperature Characteristic

C0G (-55 to 125 degC 0+/-30ppm/degC)

Rated Voltage

2J (630Vdc)

Capacitance

100nF

Capacitance Tolerance

K (+/-10%)

Q Factor

1000 Min.

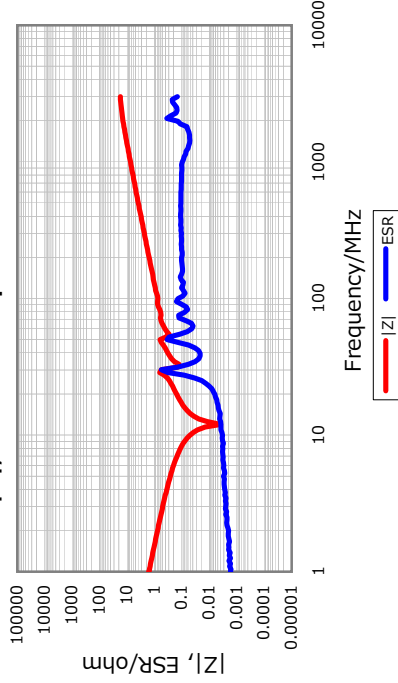
Insulation Resistance

5Gohm Min.

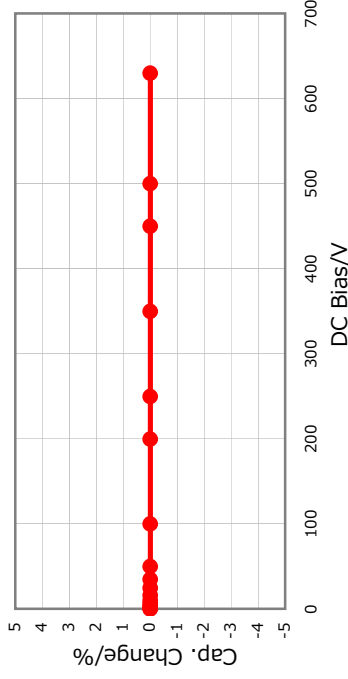
AEC-Q200

Not Applicable

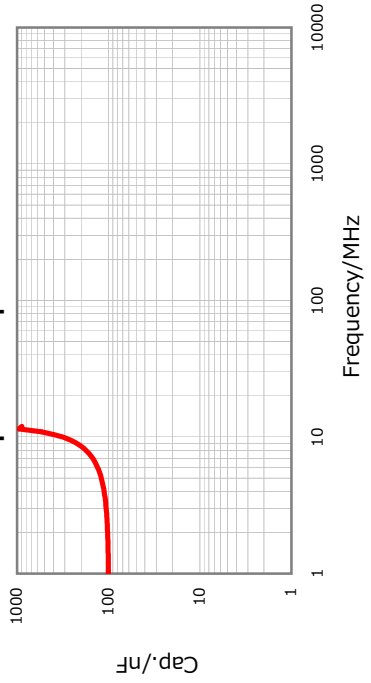
|Z|, ESR vs. Freq. Characteristics



DC Bias Characteristic



Cap. vs. Freq. Characteristic



Temperature Characteristics

