

CGA4J2NP02A472J125AA

TDK Item Description : CGA4J2NP02A472JT****

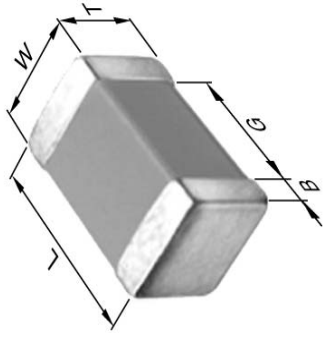
Equivalent C2012NP02A472J for Automotive

Application & Main Feature

Automotive Grade (High Temperature Application)

Series

CGA4(2012) [EIA CC0805]



Dimensions

L	2.00mm	+/-0.2mm
W	1.25mm	+/-0.2mm
T	1.25mm	+/-0.2mm
B	0.20mm	Min.
G	0.50mm	Min.

Temperature Characteristic

NP0 (-55 to 150 degC 0+/-30ppm/degC)

Rated Voltage

2A (100Vdc)

Capacitance

4.7nF

Capacitance Tolerance

J (+/-5%)

Q Factor

1000 Min.

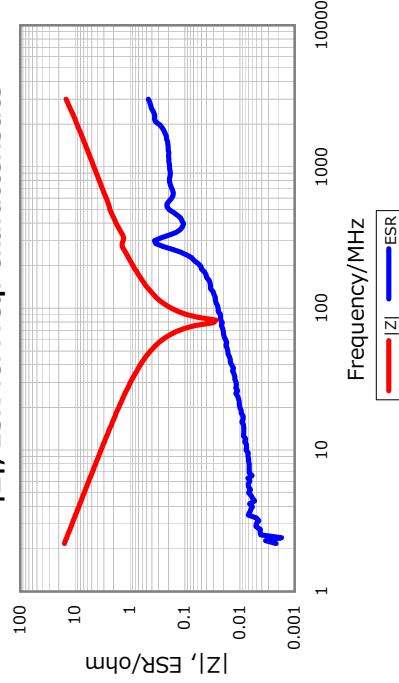
Insulation Resistance

10Gohm Min.

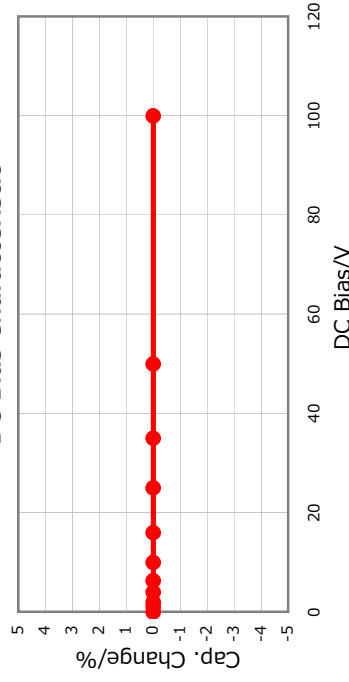
AEC-Q200

Yes

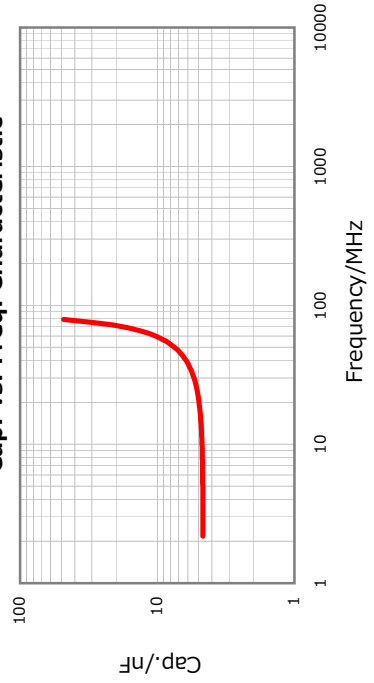
|Z|, ESR vs. Freq. Characteristics



DC Bias Characteristic



Cap. vs. Freq. Characteristic



Temperature Characteristics

