

C1608X8R1H153M080AA

TDK Item Description : C1608X8R1H153MT****

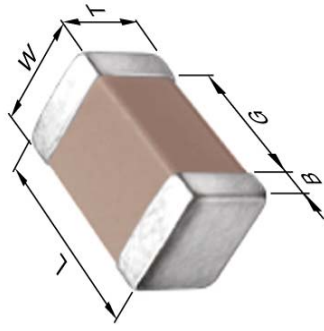


Application & Main Feature

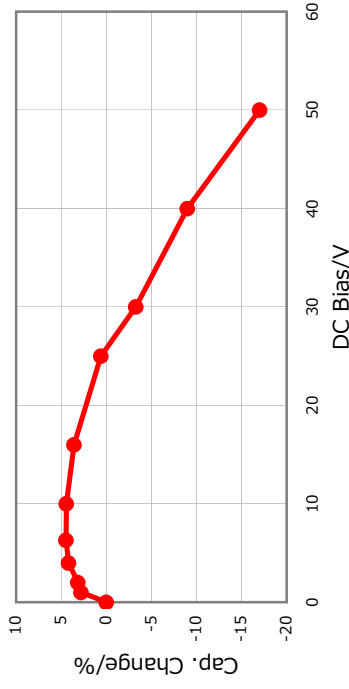
Commercial Grade (High Temperature Application)

Series

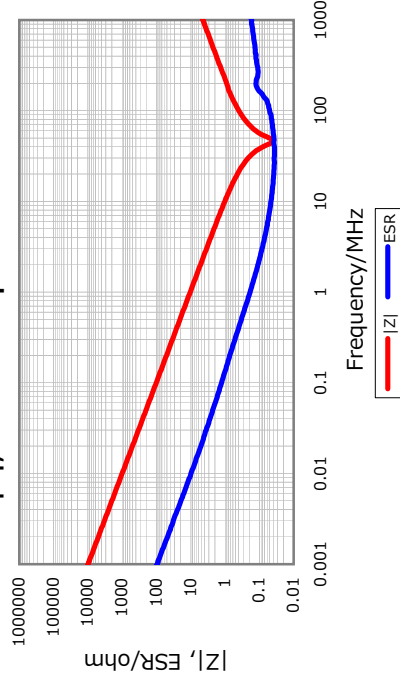
C1608 [EIA CC0603]



DC Bias Characteristic



|Z|, ESR vs. Freq. Characteristics



Temperature Characteristic

X8R (-55 to 150 degC +/-15%)

Rated Voltage

1H (50Vdc)

Capacitance

15nF

Capacitance Tolerance

M (+/-20%)

Dissipation Factor

3% Max.

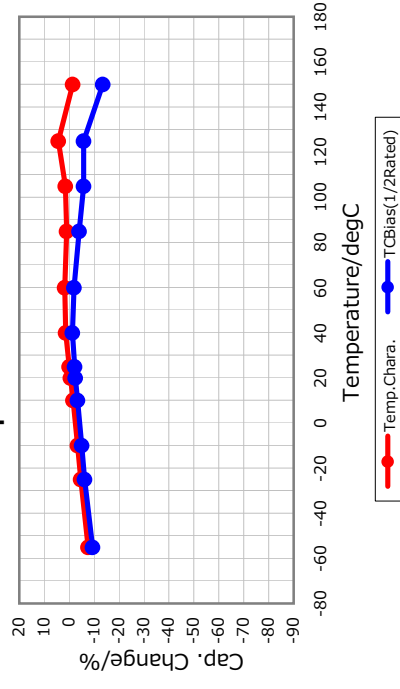
Insulation Resistance

10Gohm Min.

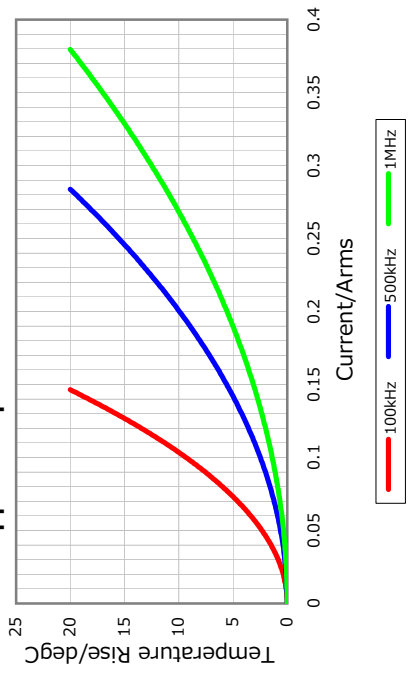
AEC-Q200

Not Applicable

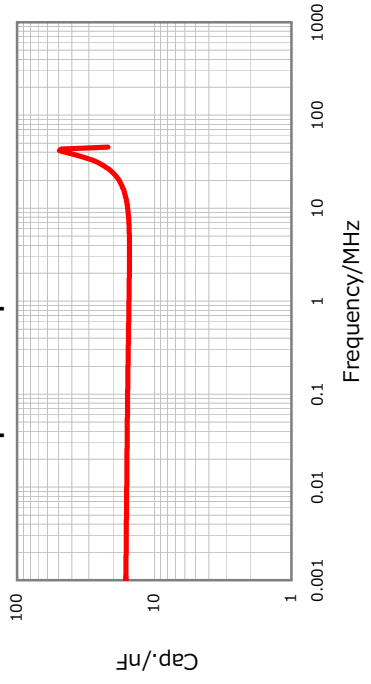
Temperature Characteristics



Ripple Temperature Rise Characteristics



Cap. vs. Freq. Characteristic



All specifications are subject to change without notice.

January 3, 2016