

C0603C0G1E0R2B030BF

TDK Item Description : C0603C0G1E0R2BTQ***

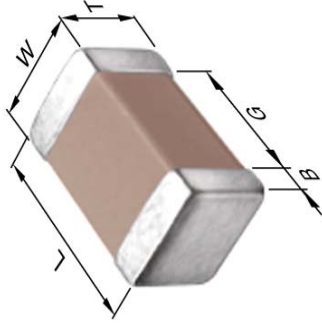


Application & Main Feature

Commercial Grade (High Q)

Series

C0603 [EIA CC0201]



Dimensions

L	0.60mm	+/-0.03mm
W	0.30mm	+/-0.03mm
T	0.30mm	+/-0.03mm
B	0.10mm	Min.
G	0.20mm	Min.

Temperature Characteristic

C0G (-55 to 125 degC 0+/-30ppm/degC)

Rated Voltage

1E (25Vdc)

Capacitance

0.2pF

Capacitance Tolerance

B (+/-0.1pF)

Q Factor

404 Min.

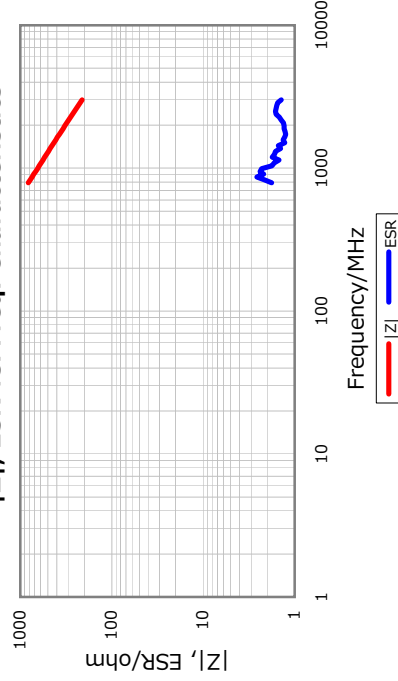
Insulation Resistance

10Gohm Min.

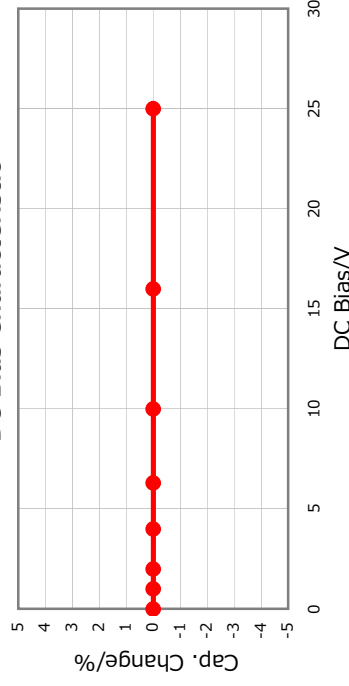
AEC-Q200

Not Applicable

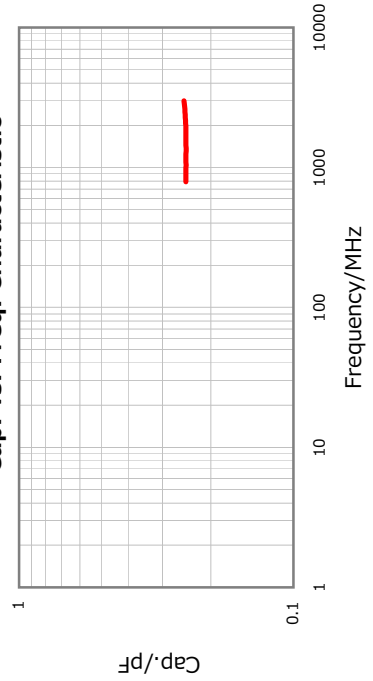
|Z|, ESR vs. Freq. Characteristics



DC Bias Characteristic



Cap. vs. Freq. Characteristic



Temperature Characteristic

