

# CGA3E2NP02A471J080AA

TDK Item Description : CGA3E2NP02A471JT\*\*\*\*\*

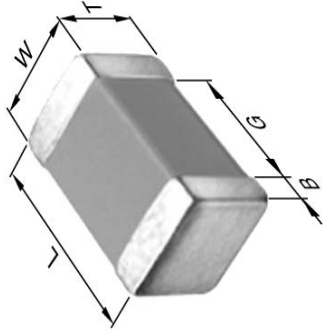
Equivalent C1608NP02A471J for Automotive

## Application & Main Feature

Automotive Grade ( High Temperature Application )

## Series

CGA3(1608) [EIA CC0603]



### Dimensions

L	1.60mm	+/-0.1mm
W	0.80mm	+/-0.1mm
T	0.80mm	+/-0.1mm
B	0.20mm	Min.
G	0.30mm	Min.

### Temperature Characteristic

NP0 (-55 to 150 degC 0+/-30ppm/degC)

### Rated Voltage

2A (100Vdc)

### Capacitance

470pF

### Capacitance Tolerance

J (+/-5%)

### Q Factor

1000 Min.

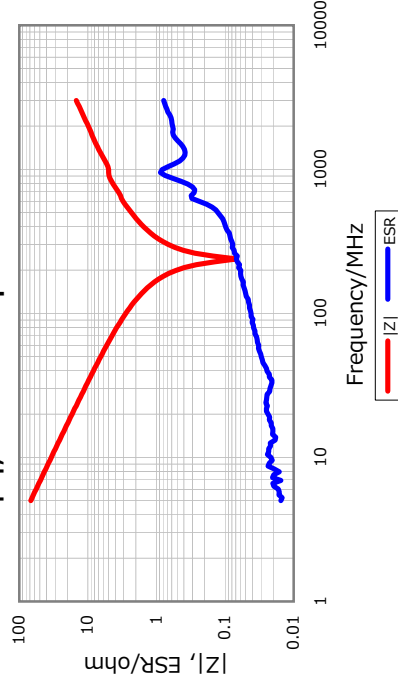
### Insulation Resistance

10Gohm Min.

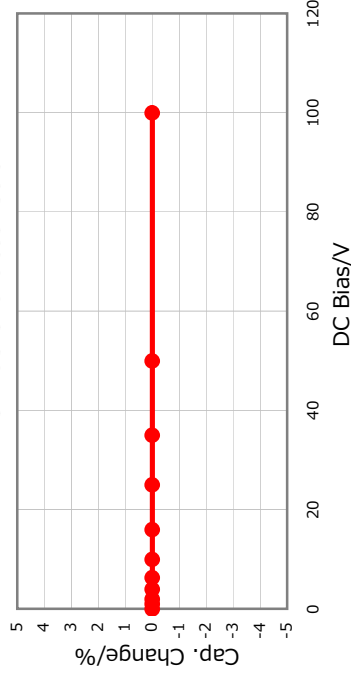
### AEC-Q200

Yes

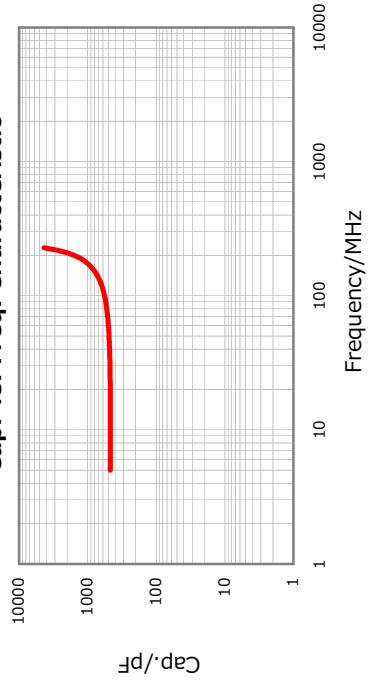
### |Z|, ESR vs. Freq. Characteristics



### DC Bias Characteristic



### Cap. vs. Freq. Characteristic



### Temperature Characteristics

