

C4532X7T2W334M160KA

TDK Item Description : C4532X7T2W334MT***



Application & Main Feature

Commercial Grade (Mid Voltage (100 to 630V))

Series

C4532 [EIA CC1812]

Dimensions

L	4.50mm	+/-0.4mm
W	3.20mm	+/-0.4mm
T	1.60mm	+/-0.2mm
B	0.20mm Min.	
G		

Temperature Characteristic

X7T (-55 to 125 degC +22,-33%)

Rated Voltage

2W (450Vdc)

Capacitance

330nF

Capacitance Tolerance

M (+/-20%)

Dissipation Factor

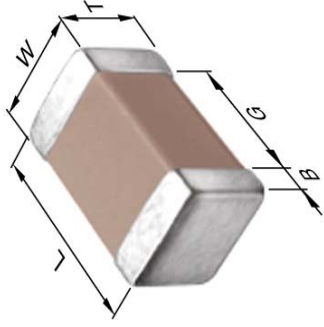
2.5% Max.

Insulation Resistance

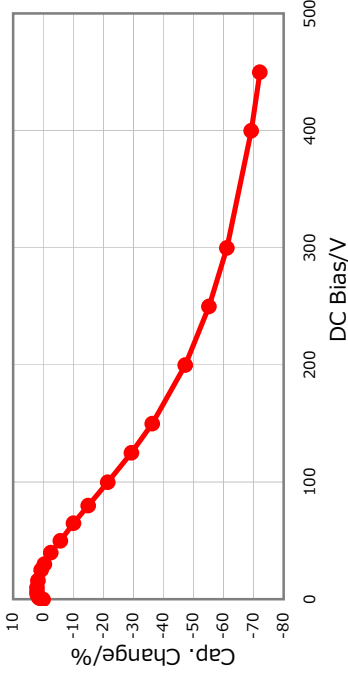
1.52Gohm Min.

AEC-Q200

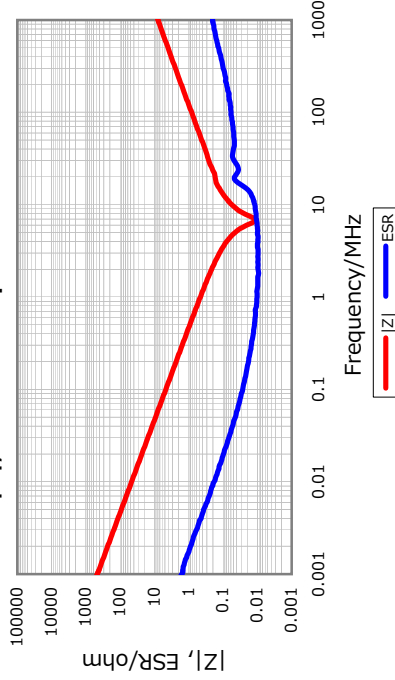
Not Applicable



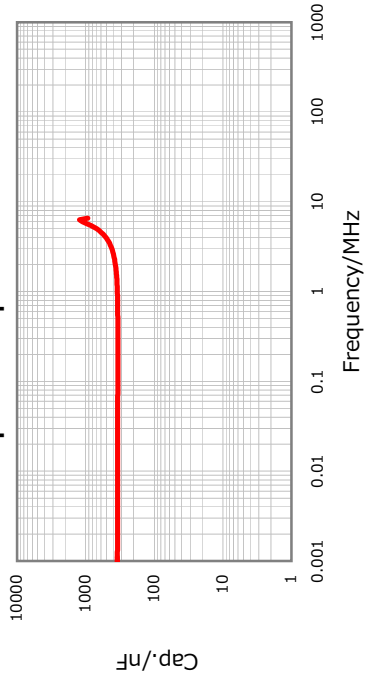
DC Bias Characteristic



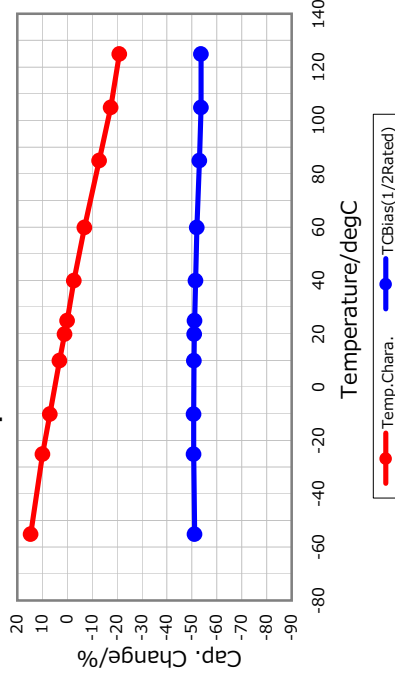
|Z|, ESR vs. Freq. Characteristics



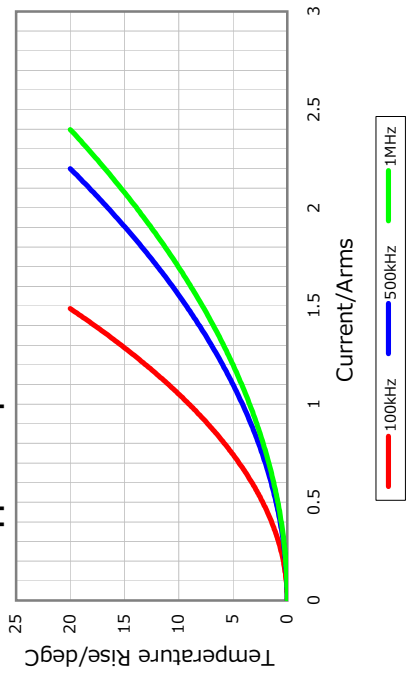
Cap. vs. Freq. Characteristic



Temperature Characteristics



Ripple Temperature Rise Characteristics



All specifications are subject to change without notice.

January 4, 2016