

# CGJ4J2X7R0J474K125AA

TDK Item Description : CGJ4J2X7R0J474K125AA

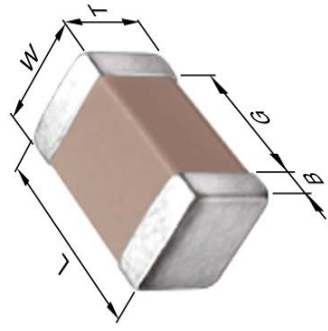


## Application & Main Feature

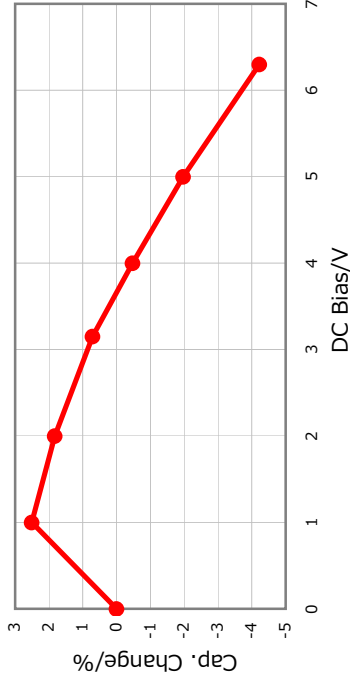
High Reliability Grade ( General (Up to 50V) )

## Series

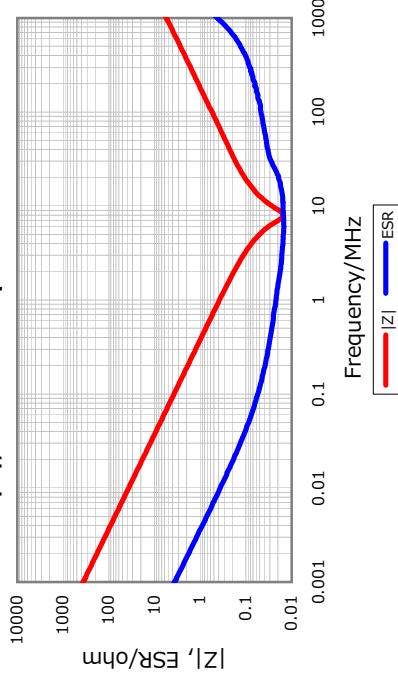
CGJ4(2012) [EIA CC0805]



## DC Bias Characteristic



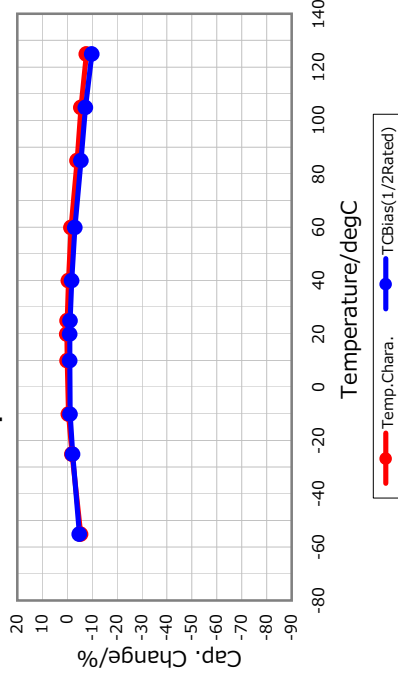
## |Z|, ESR vs. Freq. Characteristics



## Temperature Characteristic

X7R (-55 to 125 degC +/-15%)

## Temperature Characteristics



## Rated Voltage

0J (6.3Vdc)

## Capacitance

470nF

## Capacitance Tolerance

K (+/-10%)

## Dissipation Factor

7.5% Max.

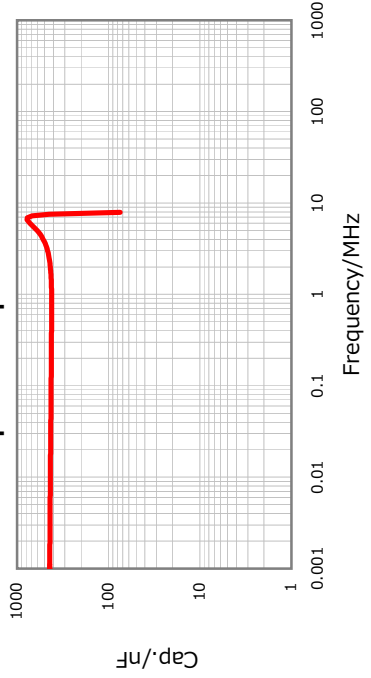
## Insulation Resistance

212Mohm Min.

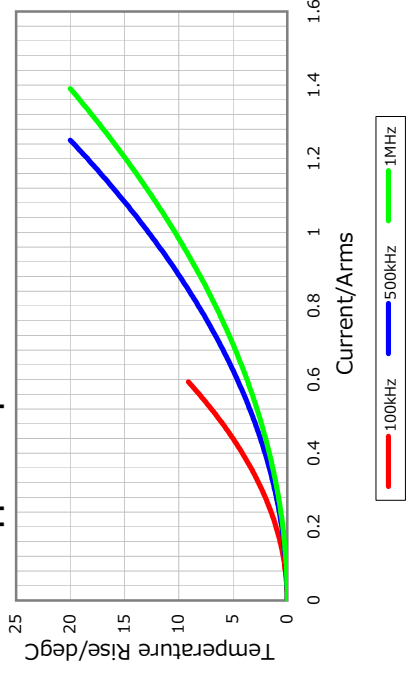
## AEC-Q200

Yes

## Cap. vs. Freq. Characteristic



## Ripple Temperature Rise Characteristics



All specifications are subject to change without notice.

January 4, 2016