

CGA8N2X7R2A684M230KA

TDK Item Description : CGA8N2X7R2A684MT*****

Equivalent C4532X7R2A684M for Automotive

Application & Main Feature

Automotive Grade (Mid Voltage (100 to 630V))

Series

CGA8(4532) [EIA CC1812]

Dimensions

| | | |
|---|-------------|----------|
| L | 4.50mm | +/-0.4mm |
| W | 3.20mm | +/-0.4mm |
| T | 2.30mm | +/-0.2mm |
| B | 0.20mm Min. | |
| G | | |

Temperature Characteristic

X7R (-55 to 125 degC +/-15%)

Rated Voltage

2A (100Vdc)

Capacitance

680nF

Capacitance Tolerance

M (+/-20%)

Dissipation Factor

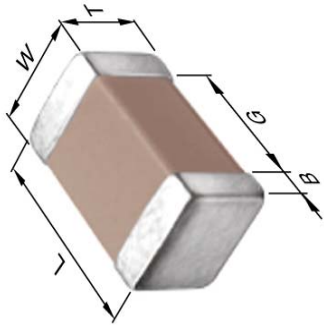
3% Max.

Insulation Resistance

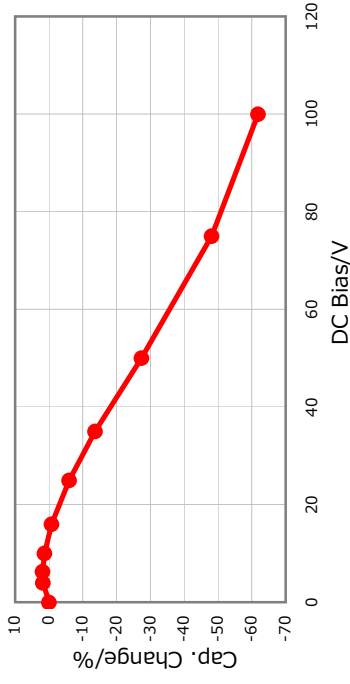
735Mohm Min.

AEC-Q200

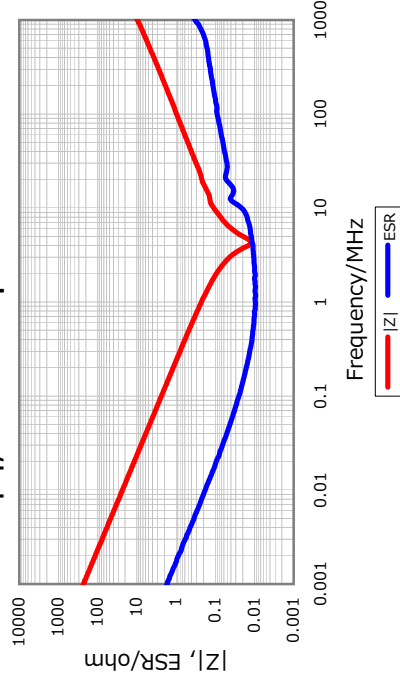
Yes



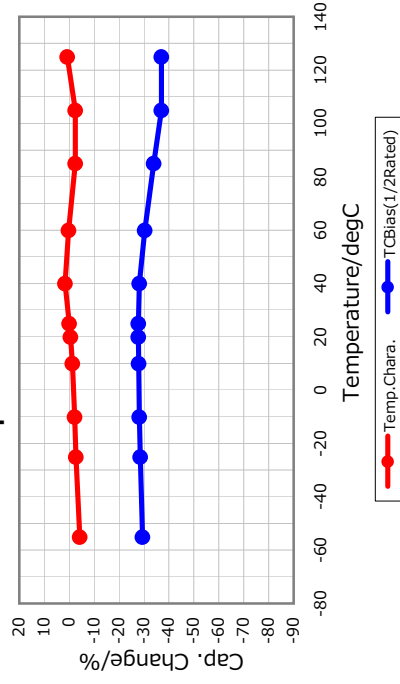
DC Bias Characteristic



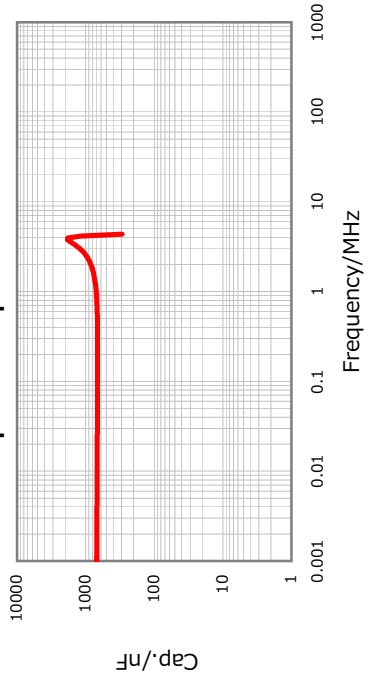
|Z|, ESR vs. Freq. Characteristics



Temperature Characteristics



Cap. vs. Freq. Characteristic



Ripple Temperature Rise Characteristics

