

High Current Chokes



This series is obsolete.

Special Features

- Very high current capacity
- Low DCR
- Ferrite bobbin core
- VW-1 rated shrink tubing to cover winding
- Fixed lead spacing
- Operating temperature -55 to +105 °C

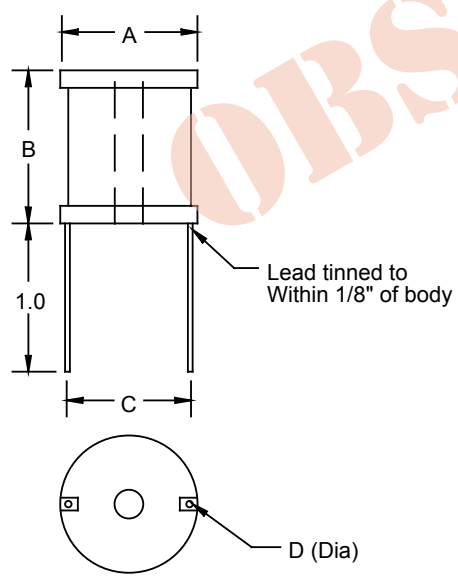
Notes

* Current to cause 5 % max. inductance drop or 35 °C max. temperature rise

† RoHS Directive 2002/95/EC Jan 27 2003 including Annex.

5600 Series							
Part Number	L (μH) ±10 % @ 1 KHz	DCR Ω Max.	I, DC* (A)	Dim. A Max.	Dim. B Max.	Dim. C ±.06	Dim. D ±.005
5601-RC	5	0.007	15	0.83	0.91	0.59	0.065
5602-RC	10	0.008	14	0.83	0.91	0.60	0.065
5603-RC	25	0.023	8	0.83	0.91	0.57	0.042
5604-RC	50	0.034	6.6	0.83	0.91	0.65	0.042
5605-RC	100	0.072	4.5	0.83	0.91	0.69	0.042
5606-RC	250	0.173	2.9	0.83	0.91	0.65	0.042
5607-RC	500	0.378	2	0.83	0.91	0.68	0.042
5608-RC	1000	0.801	1.3	0.83	0.91	0.66	0.042
5609-RC	2500	2.040	.85	0.83	0.91	0.71	0.042
5610-RC	5	0.005	20	1.22	1.11	0.94	0.082
5611-RC	10	0.006	17	1.22	1.11	0.95	0.082
5612-RC	25	0.009	14	1.22	1.11	0.93	0.082
5613-RC	50	0.017	10	1.22	1.11	0.99	0.065
5614-RC	100	0.034	7	1.22	1.11	0.85	0.053
5615-RC	250	0.083	4.6	1.22	1.11	0.97	0.053
5616-RC	500	0.129	3.7	1.22	1.11	1.12	0.053
5617-RC	1000	0.279	2.5	1.22	1.11	1.05	0.053
5618-RC	2500	0.690	1.6	1.22	1.11	1.05	0.053
5619-RC	50	0.012	14	1.50	1.11	1.23	0.082
5620-RC	100	0.027	9.8	1.50	1.11	1.12	0.065
5621-RC	250	0.059	6.4	1.50	1.11	1.10	0.053
5622-RC	500	0.090	5	1.50	1.11	1.14	0.053
5623-RC	1000	0.195	3.5	1.50	1.11	1.36	0.053
5624-RC	2500	0.499	2.2	1.50	1.11	1.32	0.053
5625-RC	5000	1.080	1.5	1.50	1.11	1.27	0.053
5626-RC	100	0.018	14	1.50	1.50	1.18	0.082
5627-RC	250	0.040	9	1.50	1.50	1.12	0.065
5628-RC	500	0.085	6.5	1.50	1.50	1.06	0.053
5629-RC	1000	0.183	4.4	1.50	1.50	1.23	0.053
5630-RC	2500	0.464	2.8	1.50	1.50	1.21	0.053
5631-RC	5000	0.714	2.2	1.50	1.50	1.63	0.053
5632-RC	10,000	1.560	1.5	1.62	1.50	1.25	0.053

"-RC" suffix indicates RoHS compliance.



Dimensions: Inches