

CGJ3E2X7R0J474K080AA

TDK Item Description : CGJ3E2X7R0J474KT****

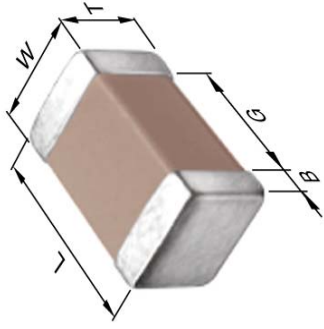


Application & Main Feature

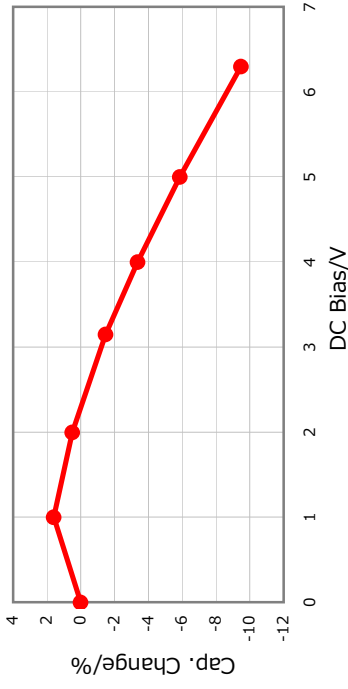
High Reliability Grade (General (Up to 50V))

Series

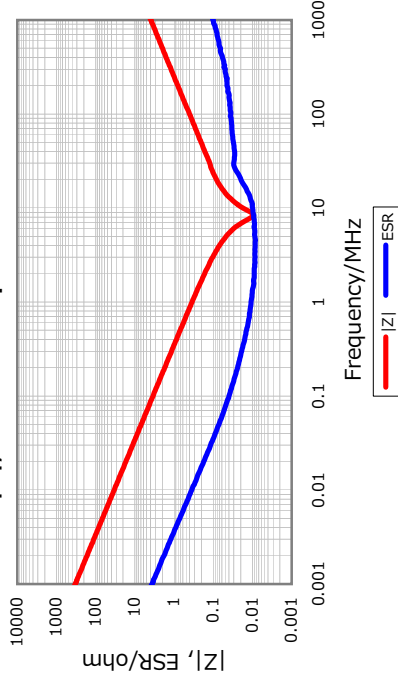
CGJ3(1608) [EIA CC0603]



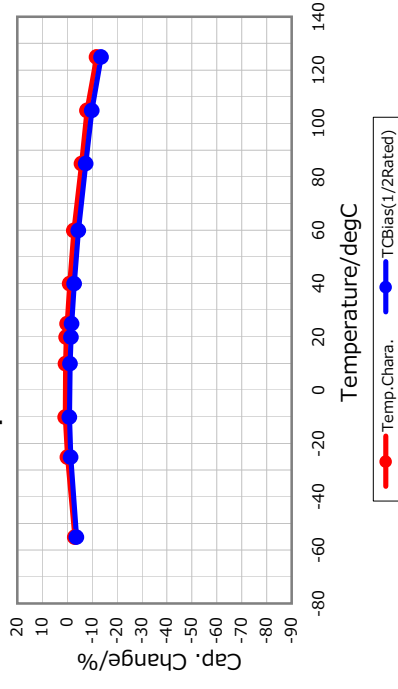
DC Bias Characteristic



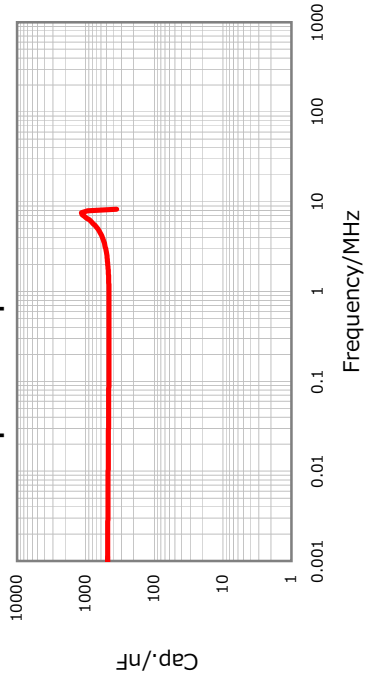
|Z|, ESR vs. Freq. Characteristics



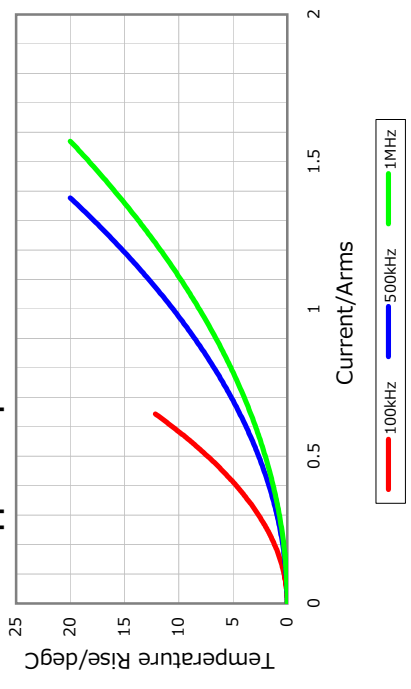
Temperature Characteristics



Cap. vs. Freq. Characteristic



Ripple Temperature Rise Characteristics



Dimensions

- L 1.60mm +/-0.1mm
- W 0.80mm +/-0.1mm
- T 0.80mm +/-0.1mm
- B 0.20mm Min.
- G 0.30mm Min.

Temperature Characteristic

X7R (-55 to 125 degC +/-15%)

Rated Voltage

0J (6.3Vdc)

Capacitance

470nF

Capacitance Tolerance

K (+/-10%)

Dissipation Factor

7.5% Max.

Insulation Resistance

212Mohm Min.

AEC-Q200

Yes



All specifications are subject to change without notice.

January 4, 2016