

C4532X7R2E474M230KA

TDK Item Description : C4532X7R2E474MT****

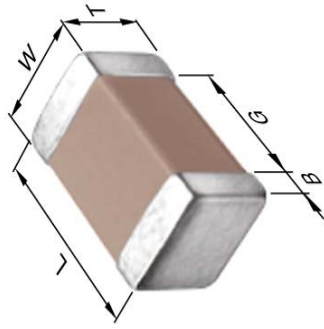


Application & Main Feature

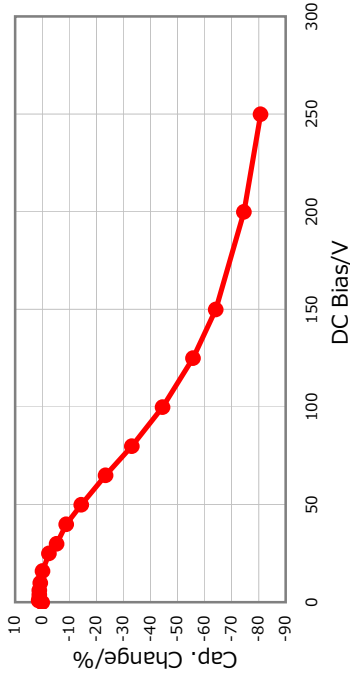
Commercial Grade (Mid Voltage (100 to 630V))

Series

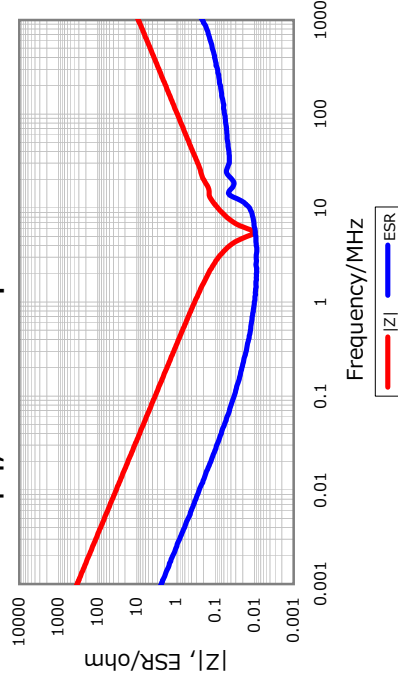
C4532 [EIA CC1812]



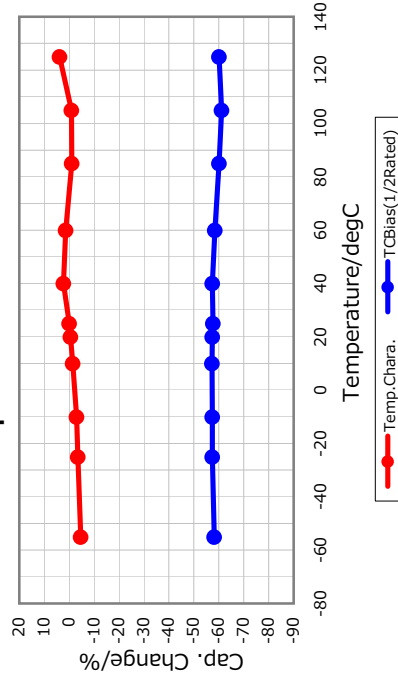
DC Bias Characteristic



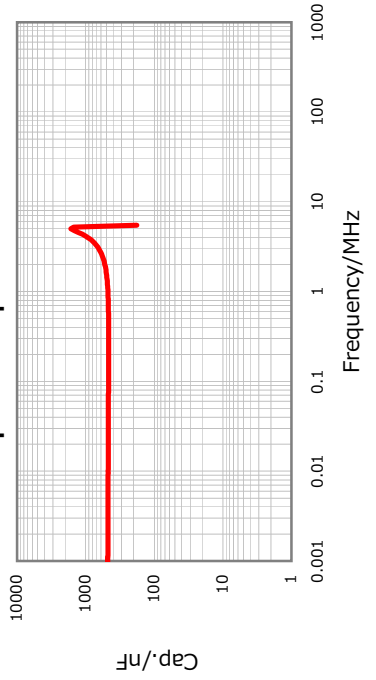
|Z|, ESR vs. Freq. Characteristics



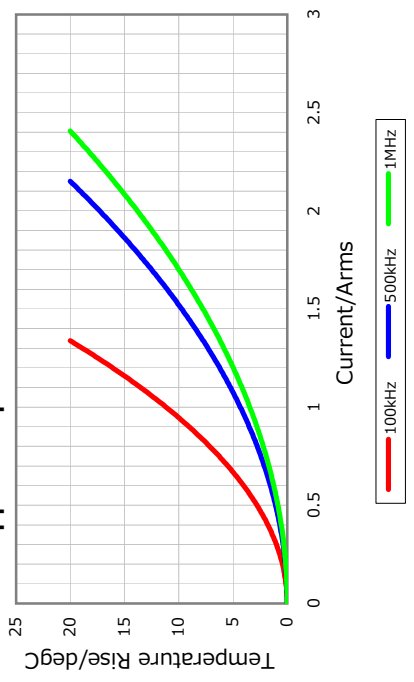
Temperature Characteristics



Cap. vs. Freq. Characteristic



Ripple Temperature Rise Characteristics



All specifications are subject to change without notice.

January 4, 2016