

# C2012X7R2A332K085AM

TDK Item Description : C2012X7R2A332KT5\*\*\*



## Application & Main Feature

Commercial Grade ( Open Mode )

## Series

C2012 [EIA CC0805]

### Dimensions

L	2.00mm	+/-0.2mm
W	1.25mm	+/-0.2mm
T	0.85mm	+/-0.15mm
B	0.20mm	Min.
G	0.50mm	Min.

### Temperature Characteristic

X7R (-55 to 125 degC +/-15%)

### Rated Voltage

2A (100Vdc)

### Capacitance

3.3nF

### Capacitance Tolerance

K (+/-10%)

### Dissipation Factor

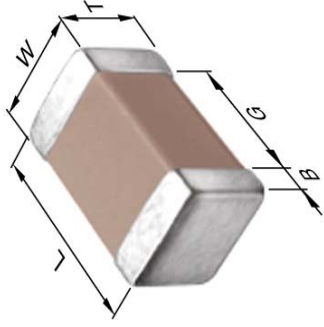
3% Max.

### Insulation Resistance

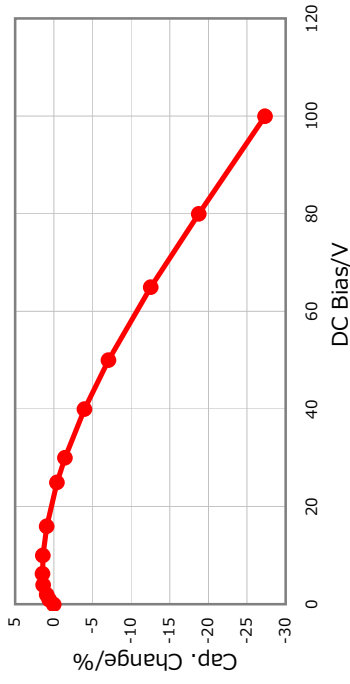
10Gohm Min.

### AEC-Q200

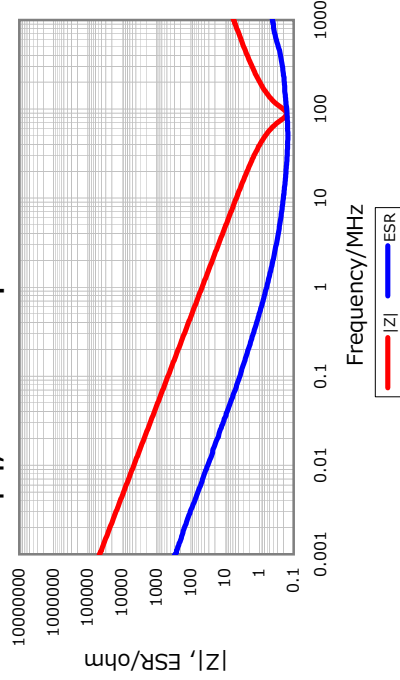
Not Applicable



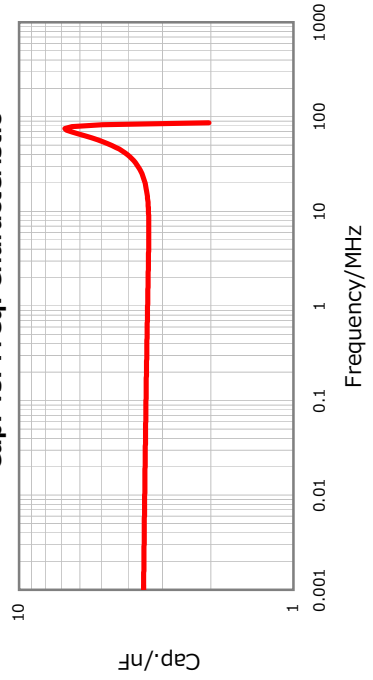
### DC Bias Characteristic



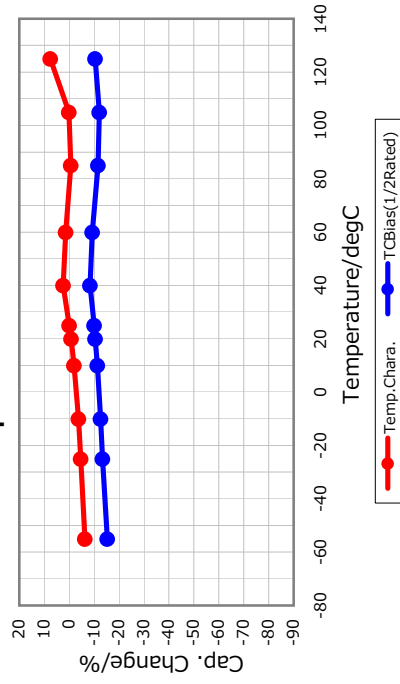
### |Z|, ESR vs. Freq. Characteristics



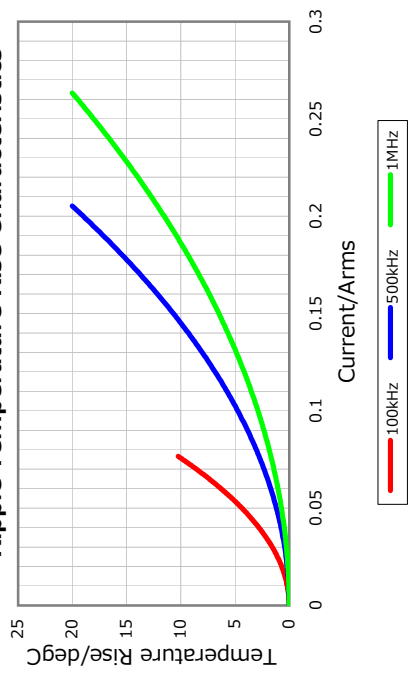
### Cap. vs. Freq. Characteristic



### Temperature Characteristics



### Ripple Temperature Rise Characteristics



All specifications are subject to change without notice.

January 3, 2016