

C3216JB2E223M115AA

TDK Item Description : C3216JB2E223MT*****

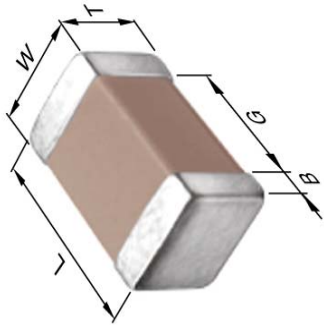


Application & Main Feature

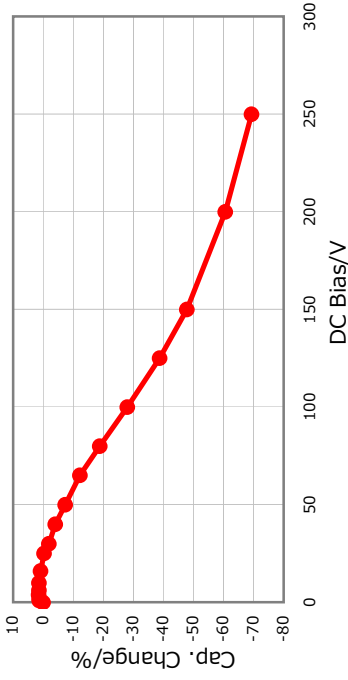
Commercial Grade (Mid Voltage (100 to 630V))

Series

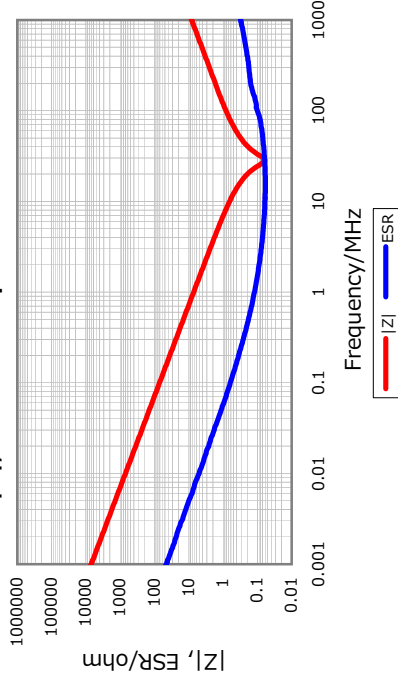
C3216 [EIA CC1206]



DC Bias Characteristic



|Z|, ESR vs. Freq. Characteristics



Temperature Characteristic

JB (-25 to 85 degC +/-10%)

Rated Voltage

2E (250Vdc)

Capacitance

22nF

Capacitance Tolerance

M (+/-20%)

Dissipation Factor

3% Max.

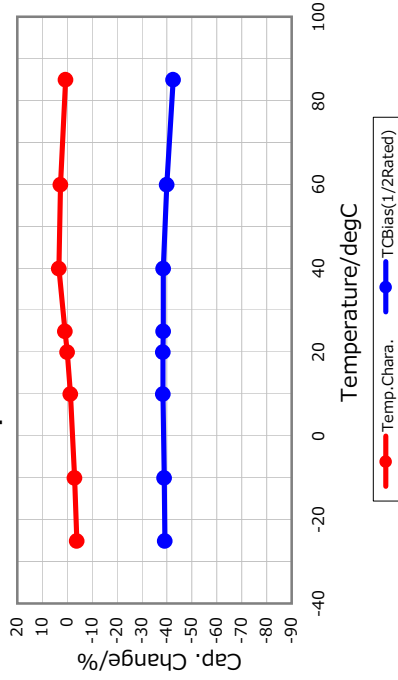
Insulation Resistance

10Gohm Min.

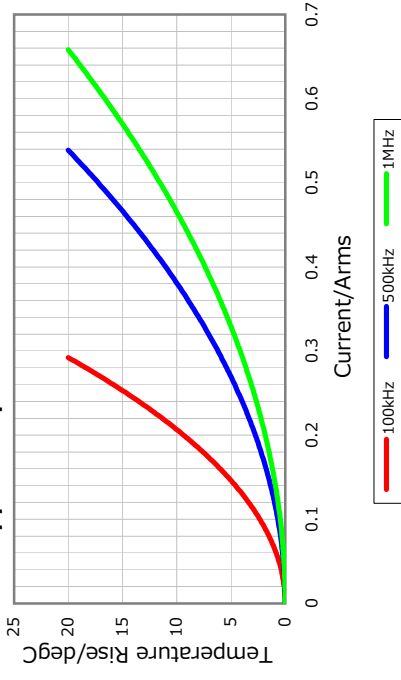
AEC-Q200

Not Applicable

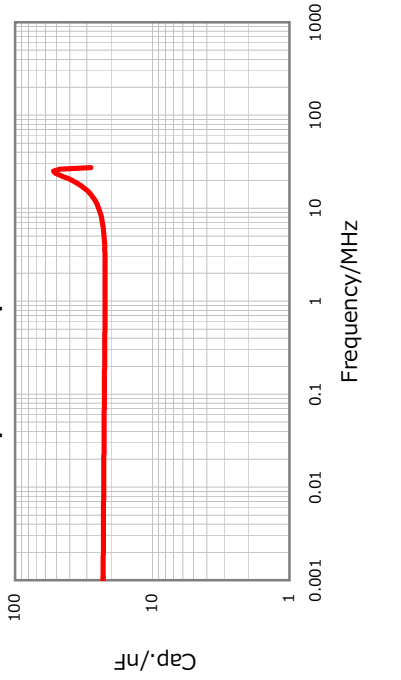
Temperature Characteristics



Ripple Temperature Rise Characteristics



Cap. vs. Freq. Characteristic



All specifications are subject to change without notice.

January 3, 2016