

C3216JB2J222K115AA

TDK Item Description : C3216JB2J222K115AA

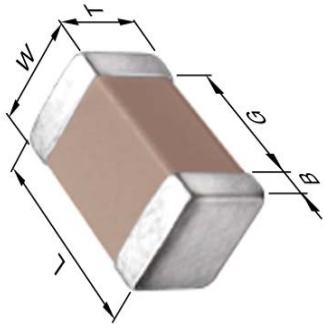


Application & Main Feature

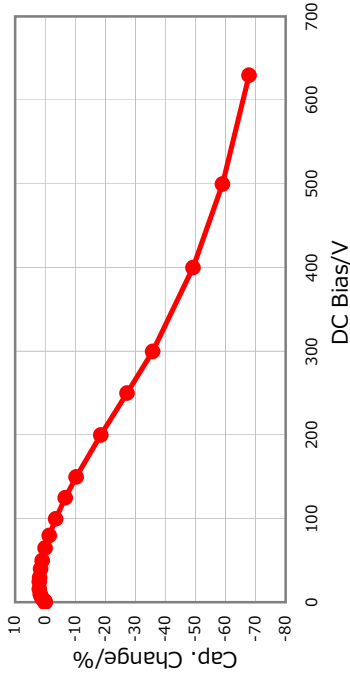
Commercial Grade (Mid Voltage (100 to 630V))

Series

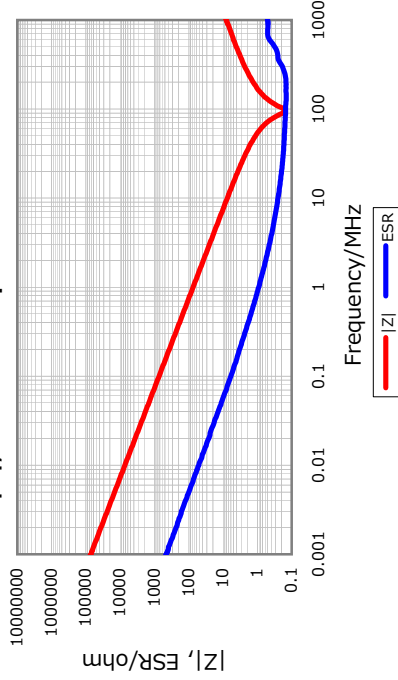
C3216 [EIA CC1206]



DC Bias Characteristic



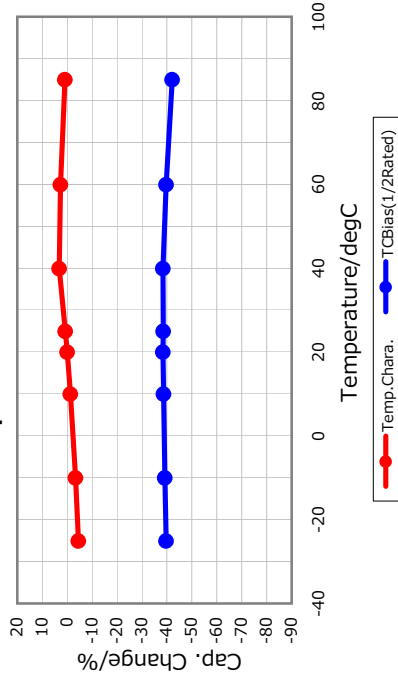
|Z|, ESR vs. Freq. Characteristics



Temperature Characteristic

JB (-25 to 85 degC +/-10%)

Temperature Characteristics



Rated Voltage

2J (630Vdc)

Capacitance

2.2nF

Capacitance Tolerance

K (+/-10%)

Dissipation Factor

3% Max.

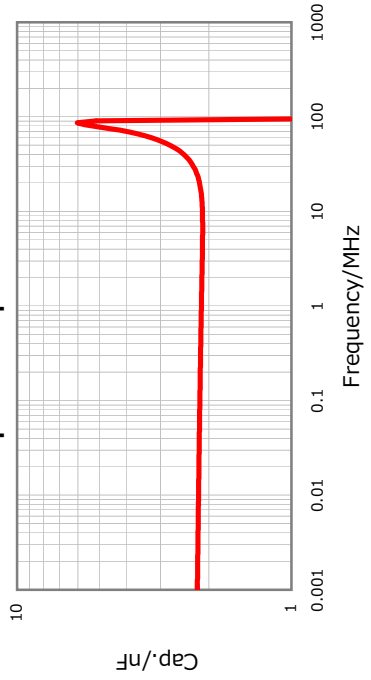
Insulation Resistance

10Gohm Min.

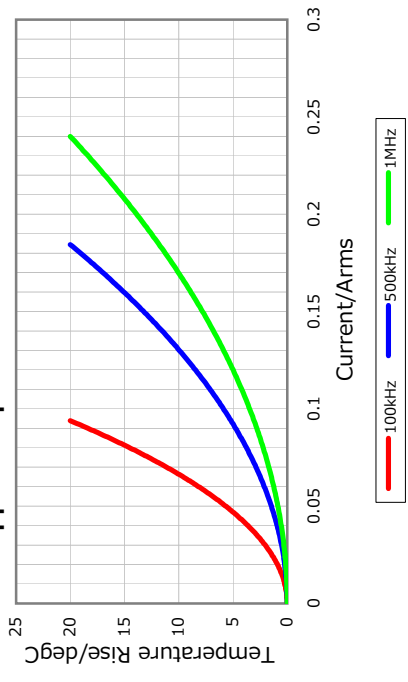
AEC-Q200

Not Applicable

Cap. vs. Freq. Characteristic



Ripple Temperature Rise Characteristics



All specifications are subject to change without notice.

January 3, 2016