

CGA4J3X7T2E104M125AA

TDK Item Description : CGA4J3X7T2E104MT*****

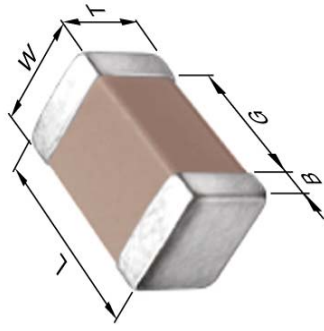
Equivalent C2012X7T2E104M for Automotive

Application & Main Feature

Automotive Grade (Mid Voltage (100 to 630V))

Series

CGA4(2012) [EIA CC0805]



Dimensions

L	2.00mm	+/-0.2mm
W	1.25mm	+/-0.2mm
T	1.25mm	+/-0.2mm
B	0.20mm	Min.
G	0.50mm	Min.

Temperature Characteristic

X7T (-55 to 125 degC +22,-33%)

Rated Voltage

2E (250Vdc)

Capacitance

100nF

Capacitance Tolerance

M (+/-20%)

Dissipation Factor

2.5% Max.

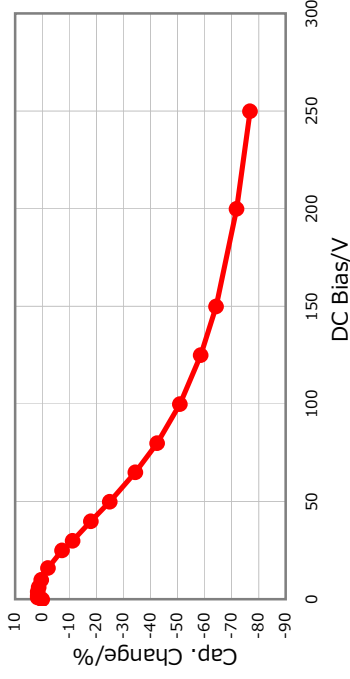
Insulation Resistance

5Gohm Min.

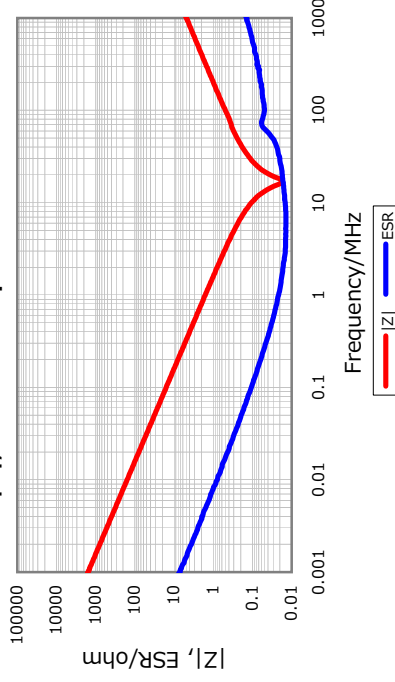
AEC-Q200

Yes

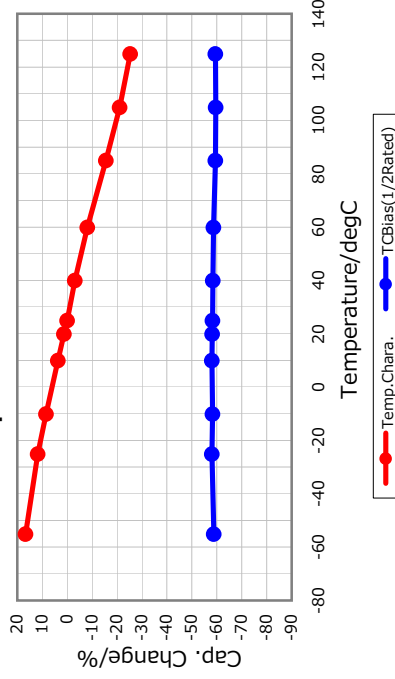
DC Bias Characteristic



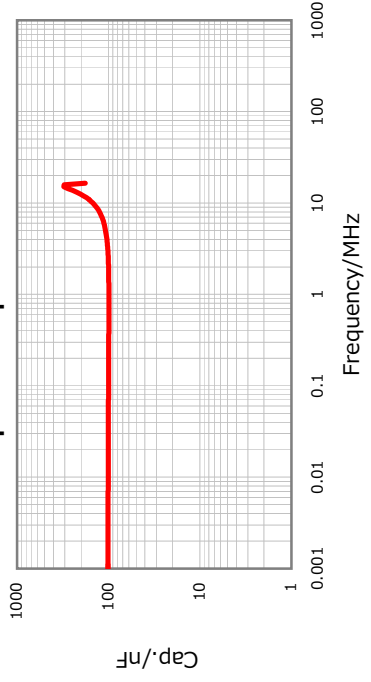
|Z|, ESR vs. Freq. Characteristics



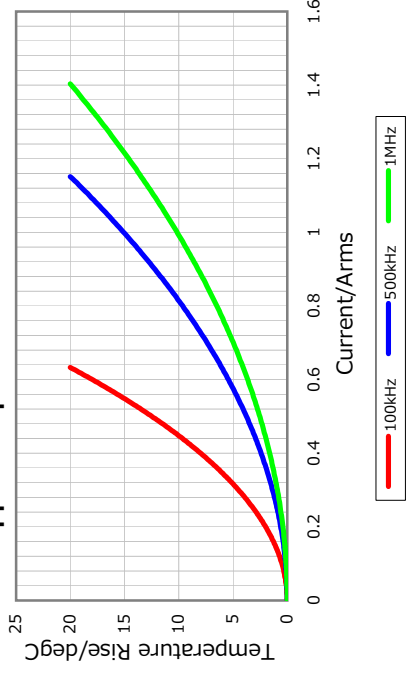
Temperature Characteristics



Cap. vs. Freq. Characteristic



Ripple Temperature Rise Characteristics



All specifications are subject to change without notice.

January 4, 2016