

C5750JB2A475M230KA

TDK Item Description : C5750JB2A475MT*****



Application & Main Feature

Commercial Grade (Mid Voltage (100 to 630V))

Series

C5750 [EIA CC2220]

Dimensions

L	5.70mm	+/-0.4mm
W	5.00mm	+/-0.4mm
T	2.30mm	+/-0.2mm
B	0.20mm Min.	
G		

Temperature Characteristic

JB (-25 to 85 degC +/-10%)

Rated Voltage

2A (100Vdc)

Capacitance

4.7uF

Capacitance Tolerance

M (+/-20%)

Dissipation Factor

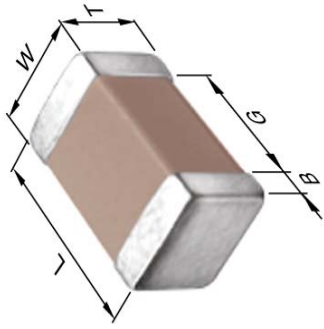
3% Max.

Insulation Resistance

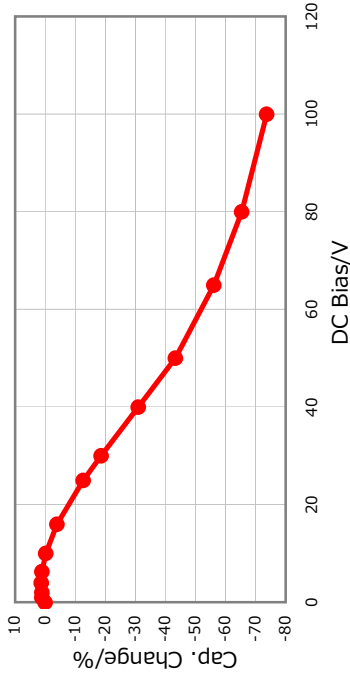
106Mohm Min.

AEC-Q200

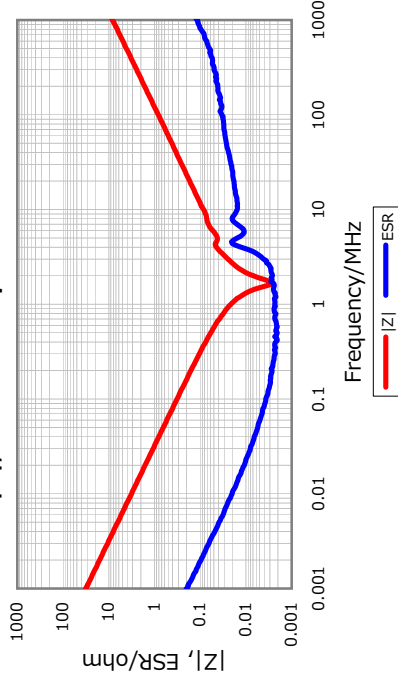
Not Applicable



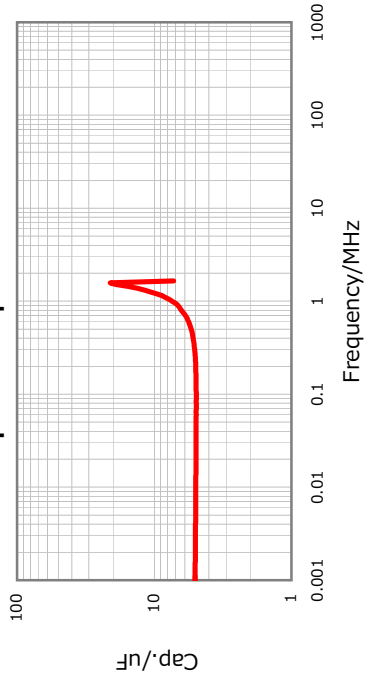
DC Bias Characteristic



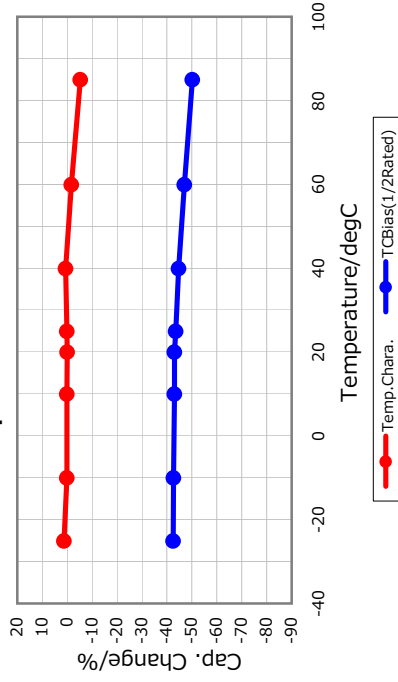
|Z|, ESR vs. Freq. Characteristics



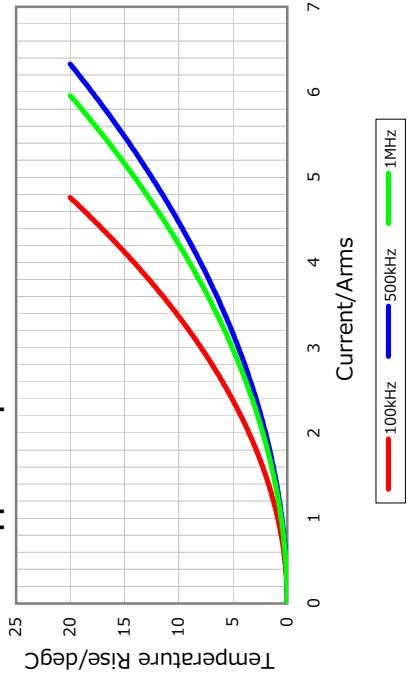
Cap. vs. Freq. Characteristic



Temperature Characteristics



Ripple Temperature Rise Characteristics



All specifications are subject to change without notice.

January 4, 2016