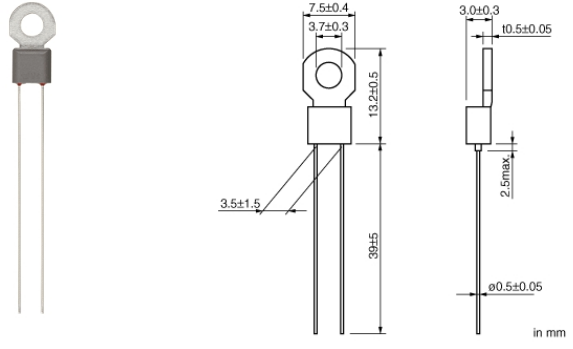


PTFM04BC222Q2N34BS



Appearance & Shape



Features

1. PTFM_S Series is fixed easily because of a screw clamp type.
2. Compact and light design as well as excellent thermal response.
3. Contactless operation provides a prolonged service life, yet permits noiseless operation.
4. The operating point of "POSISTOR" is set on the steepest point along the resistance-temperature characteristic curve, thus performing the overheat protective operation securely.
5. PTFM_S Series is certified by UL/cUL/VDE. It is suitable for a powersupply, etc, required the safety standard.

Applications

Limited Usage	Consumer Grade
---------------	----------------

Packaging Information

Packaging	Specifications	Standard Packing Quantity
BS	Bulk(Bag)	200

Attention
 1.This datasheet is downloaded from the website of Murata Manufacturing Co., Ltd. Therefore, it's specifications are subject to change or our products in it may be discontinued without advance notice. Please check with our sales representatives or product engineers before ordering.
 2.This datasheet has only typical specifications because there is no space for detailed specifications.
 Therefore, please review our product specifications or consult the approval sheet for product specifications before ordering.

PTFM04BC222Q2N34BS

Specifications

Max. Voltage	16V
Sensing Temperature	110°C
Measure Condition of Sensing Temperature	TS°C
Resistance (25°C)	330Ω
Resistance Value Tolerance (at 25°C)	max.
Resistance	1.5kΩ
Measure Condition of Resistance	max.(TS-10°C)
Resistance Value(2)	2.2kΩ
Measure Condition of Resistance(2)	min.(TS°C)
Operating Temperature Range	-10°C to 120°C
Shape	Lead
Mass	0.62g
MSL	N

Attention

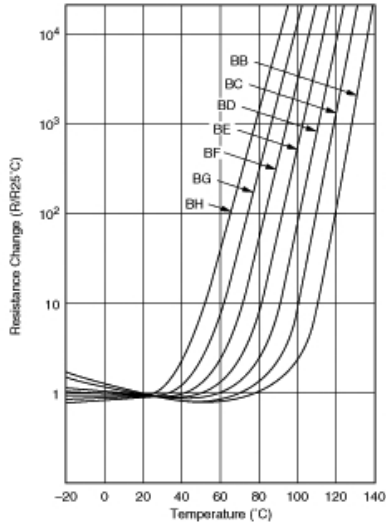
1.This datasheet is downloaded from the website of Murata Manufacturing Co., Ltd. Therefore, it's specifications are subject to change or our products in it may be discontinued without advance notice. Please check with our sales representatives or product engineers before ordering.

2.This datasheet has only typical specifications because there is no space for detailed specifications.

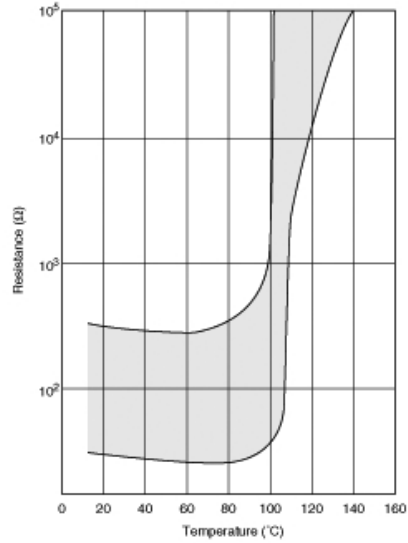
Therefore, please review our product specifications or consult the approval sheet for product specifications before ordering.

PTFM04BC222Q2N34BS

Product Data



Resistance-Temperature Characteristics



Resistance-Temperature Characteristics Range

Attention

- 1.This datasheet is downloaded from the website of Murata Manufacturing Co., Ltd. Therefore, it's specifications are subject to change or our products in it may be discontinued without advance notice. Please check with our sales representatives or product engineers before ordering.
- 2.This datasheet has only typical specifications because there is no space for detailed specifications. Therefore, please review our product specifications or consult the approval sheet for product specifications before ordering.