

# CGA5L1X7R1E106M160AD

TDK Item Description : CGA5L1X7R1E106MT\*\*\*B

Equivalent C3216X7R1E106M for Automotive

## Application & Main Feature

Automotive Grade ( Conductive Epoxy Application )

## Series

CGA5(3216) [EIA CC1206]

## Dimensions

L	3.20mm	+0.3,-0.1mm
W	1.60mm	+0.3,-0.1mm
T	1.60mm	+0.3,-0.1mm
B	0.20mm	Min.
G	1.00mm	Min.

## Temperature Characteristic

X7R (-55 to 125 degC +/-15%)

## Rated Voltage

1E (25Vdc)

## Capacitance

10uF

## Capacitance Tolerance

M (+/-20%)

## Dissipation Factor

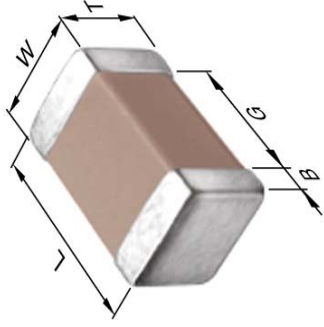
7.5% Max.

## Insulation Resistance

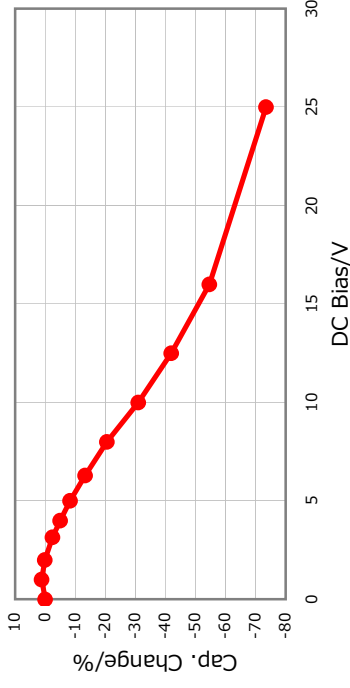
50Mohm Min.

## AEC-Q200

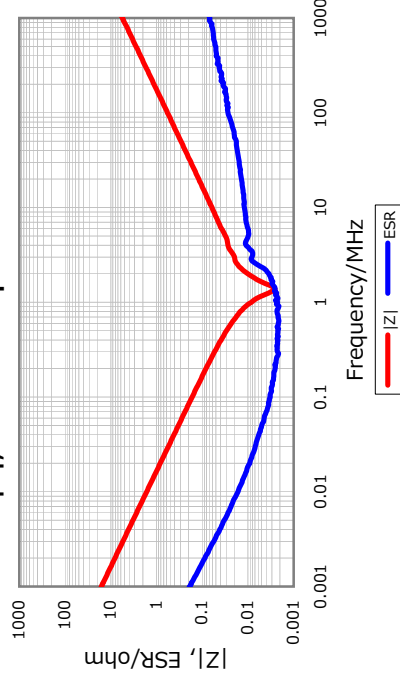
Yes



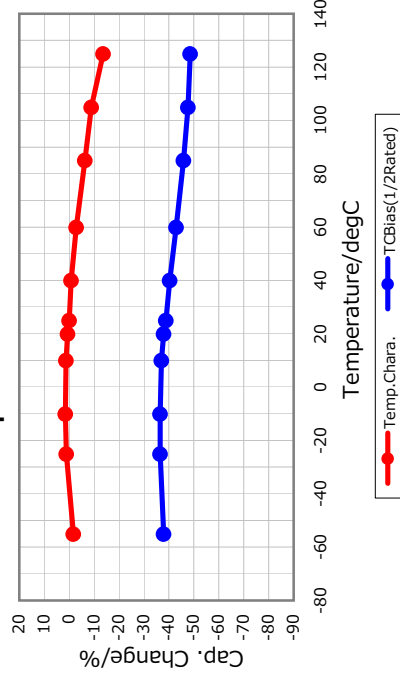
## DC Bias Characteristic



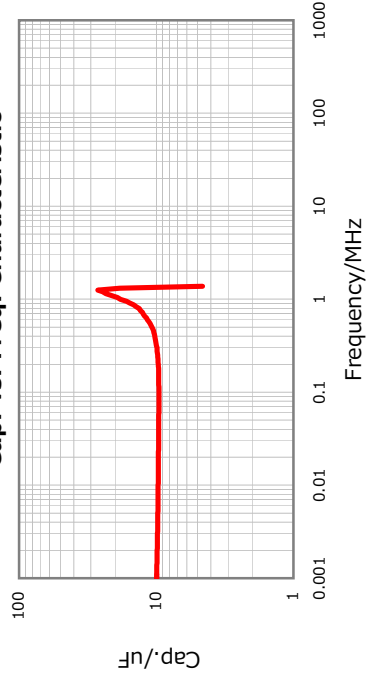
## |Z|, ESR vs. Freq. Characteristics



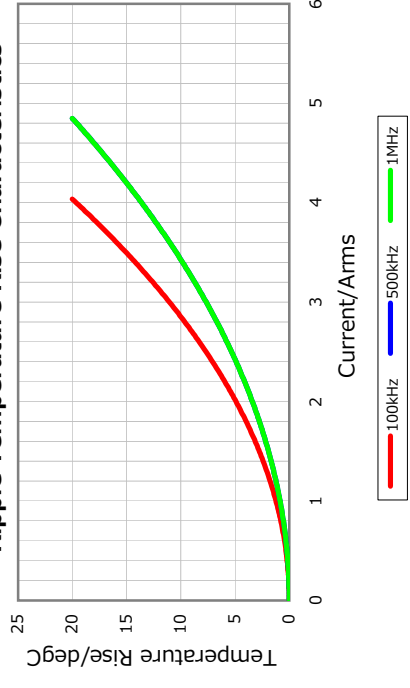
## Temperature Characteristics



## Cap. vs. Freq. Characteristic



## Ripple Temperature Rise Characteristics



All specifications are subject to change without notice.

January 4, 2016