

C2012C0G2E182K125AA

TDK Item Description : C2012C0G2E182KT****

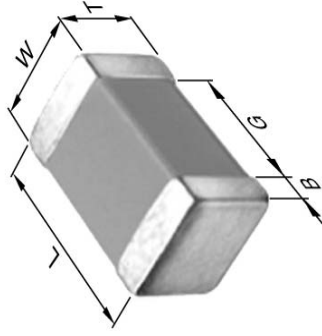


Application & Main Feature

Commercial Grade (Mid Voltage (100 to 630V))

Series

C2012 [EIA CC0805]



Dimensions

L	2.00mm	+/-0.2mm
W	1.25mm	+/-0.2mm
T	1.25mm	+/-0.2mm
B	0.20mm	Min.
G	0.50mm	Min.

Temperature Characteristic

C0G (-55 to 125 degC 0+/-30ppm/degC)

Rated Voltage

2E (250Vdc)

Capacitance

1.8nF

Capacitance Tolerance

K (+/-10%)

Q Factor

1000 Min.

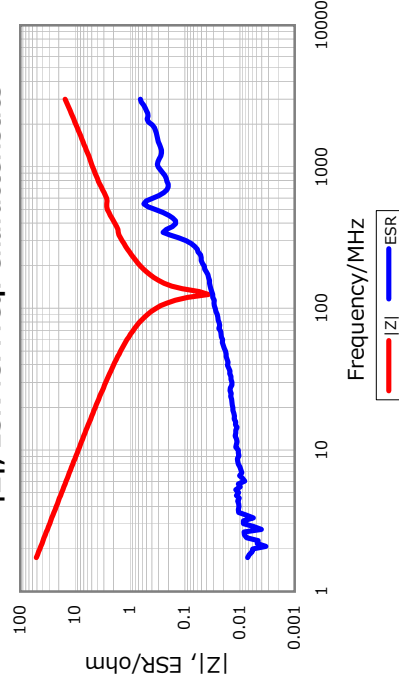
Insulation Resistance

10Gohm Min.

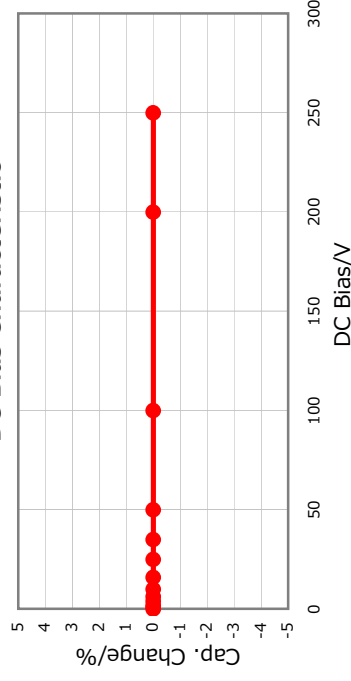
AEC-Q200

Not Applicable

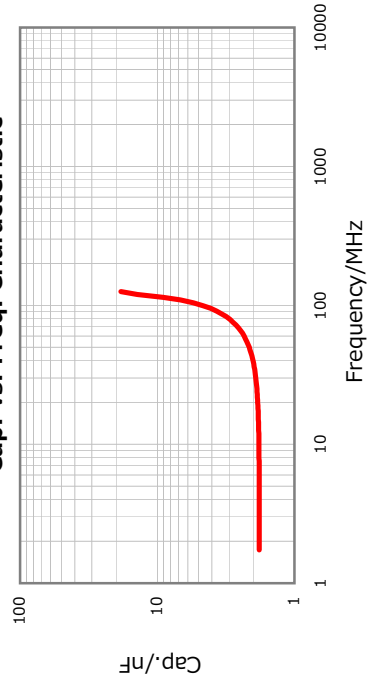
|Z|, ESR vs. Freq. Characteristics



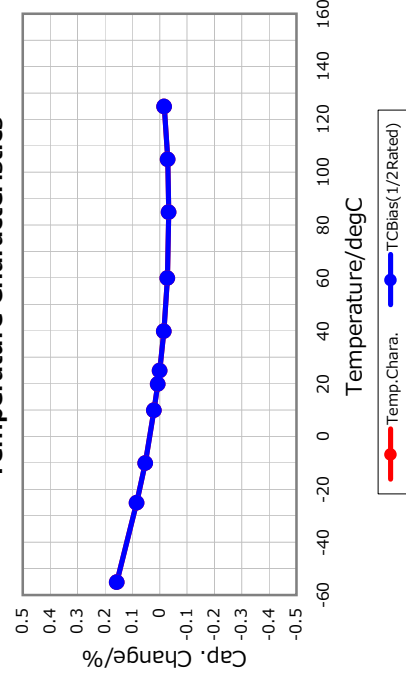
DC Bias Characteristic



Cap. vs. Freq. Characteristic



Temperature Characteristics



⚠ All specifications are subject to change without notice.

January 3, 2016