

# CGJ2B2X7R1C223K050BA

TDK Item Description : CGJ2B2X7R1C223KT\*\*\*\*

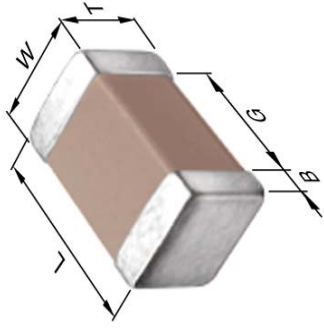


## Application & Main Feature

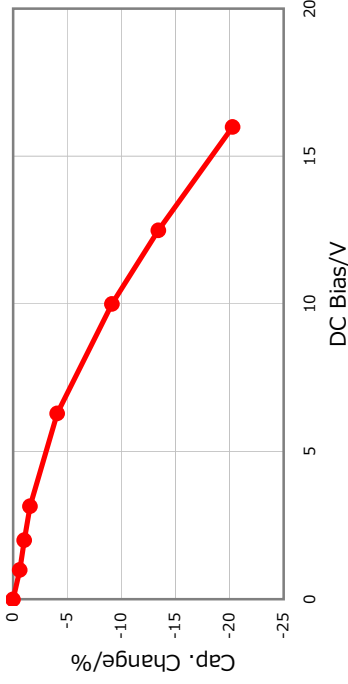
High Reliability Grade ( General (Up to 50V) )

## Series

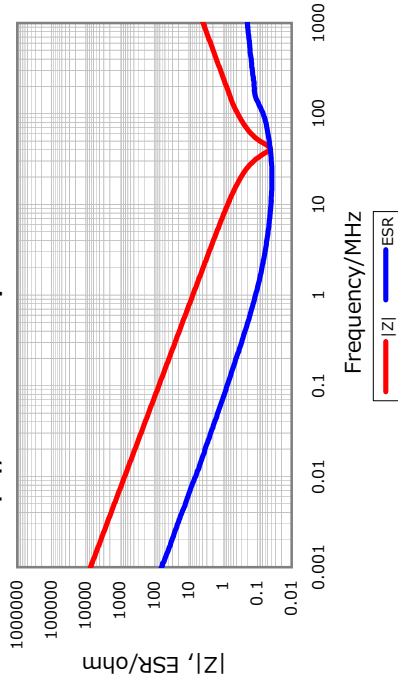
CGJ2(1005) [EIA CC0402]



## DC Bias Characteristic



## |Z|, ESR vs. Freq. Characteristics



## Temperature Characteristic

X7R (-55 to 125 degC +/-15%)

## Rated Voltage

1C (16Vdc)

## Capacitance

22nF

## Capacitance Tolerance

K (+/-10%)

## Dissipation Factor

5% Max.

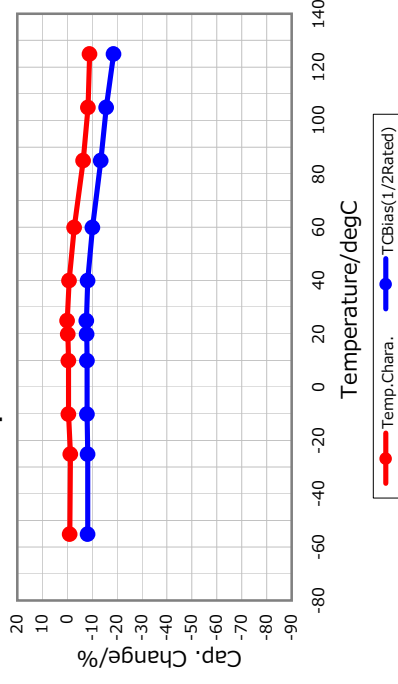
## Insulation Resistance

4.55Gohm Min.

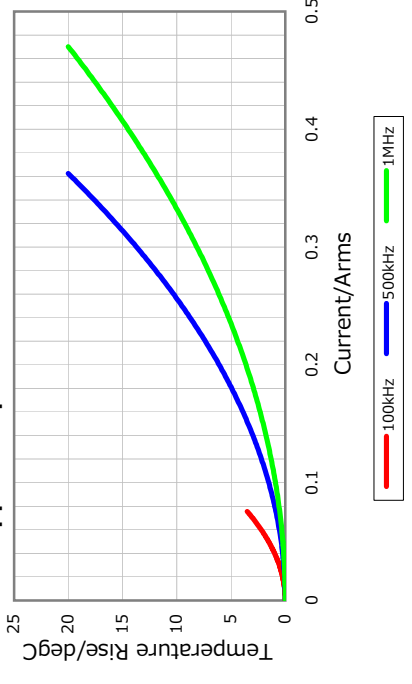
## AEC-Q200

Yes

## Temperature Characteristics



## Ripple Temperature Rise Characteristics



All specifications are subject to change without notice.

January 4, 2016