

CGA8N1C0G3F271K230KA

TDK Item Description : CGA8N1C0G3F271KT*****

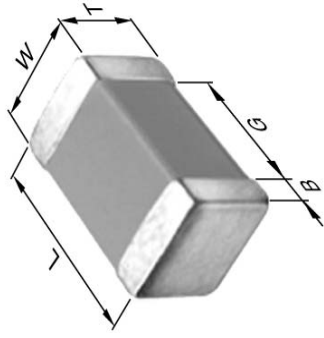
Equivalent C4532C0G3F271K for Automotive

Application & Main Feature

Automotive Grade (High Voltage (1000V and over))

Series

CGA8(4532) [EIA CC1812]



Dimensions

L	4.50mm	+/-0.4mm
W	3.20mm	+/-0.4mm
T	2.30mm	+/-0.2mm
B	0.20mm	Min.
G		

Temperature Characteristic

C0G (-55 to 125 degC 0+/-30ppm/degC)

Rated Voltage

3F (3000Vdc)

Capacitance

270pF

Capacitance Tolerance

K (+/-10%)

Q Factor

1000 Min.

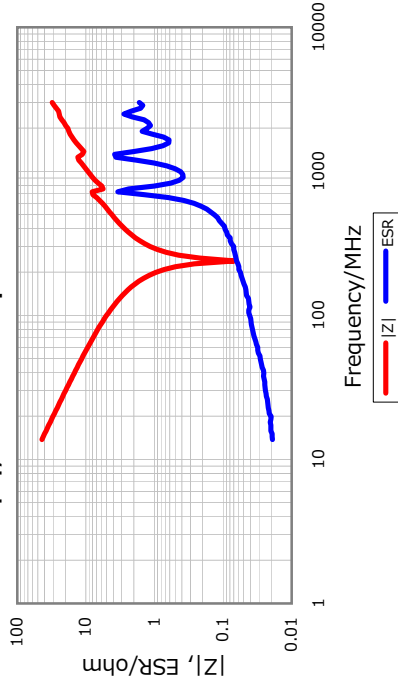
Insulation Resistance

10Gohm Min.

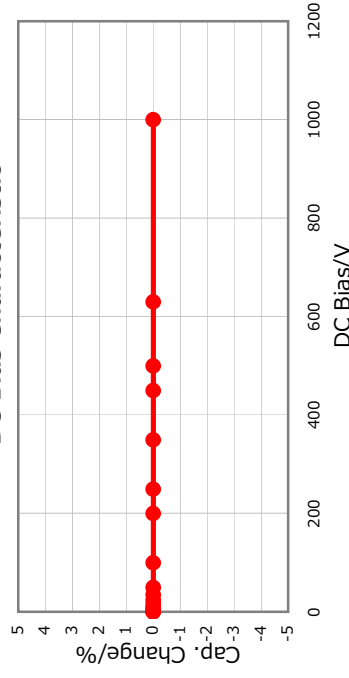
AEC-Q200

Not Applicable

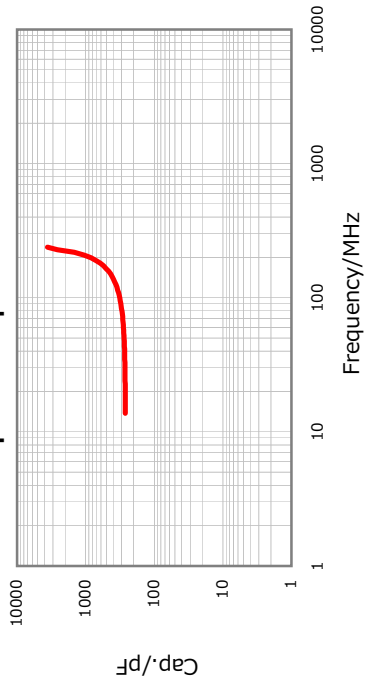
|Z|, ESR vs. Freq. Characteristics



DC Bias Characteristic



Cap. vs. Freq. Characteristic



Temperature Characteristics

