

# C3225X7R1H474K160AM

TDK Item Description : C3225X7R1H474KT5\*\*\*

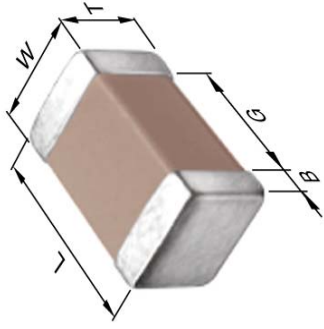


## Application & Main Feature

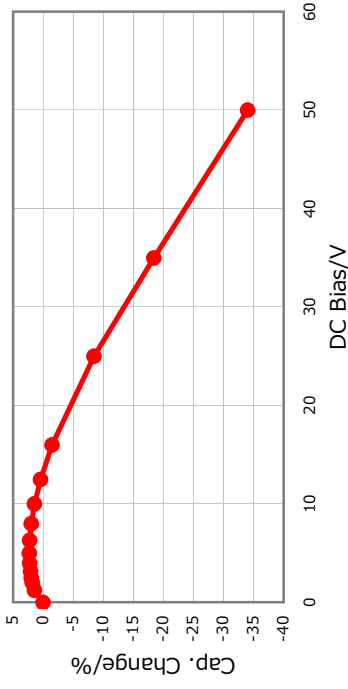
Commercial Grade ( Open Mode )

## Series

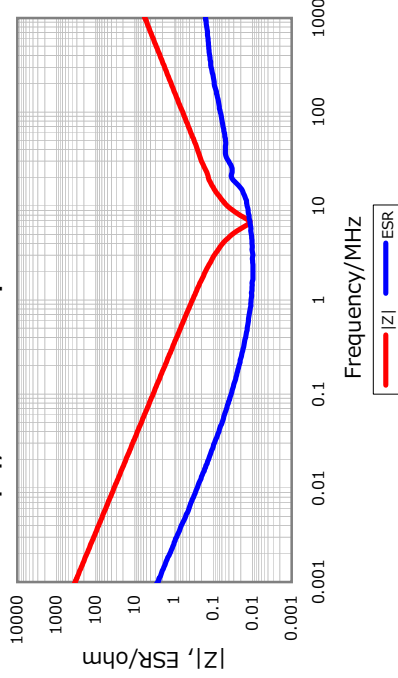
C3225 [EIA CC1210]



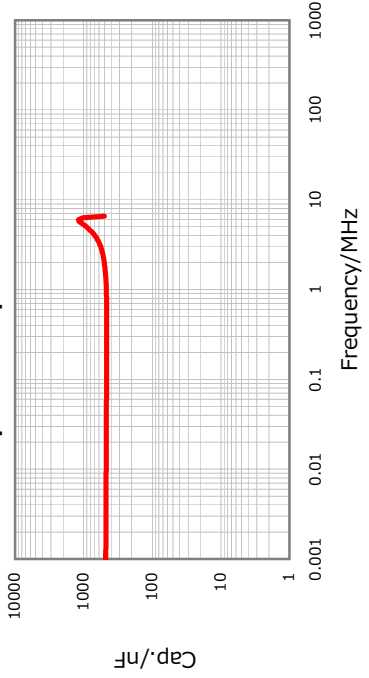
## DC Bias Characteristic



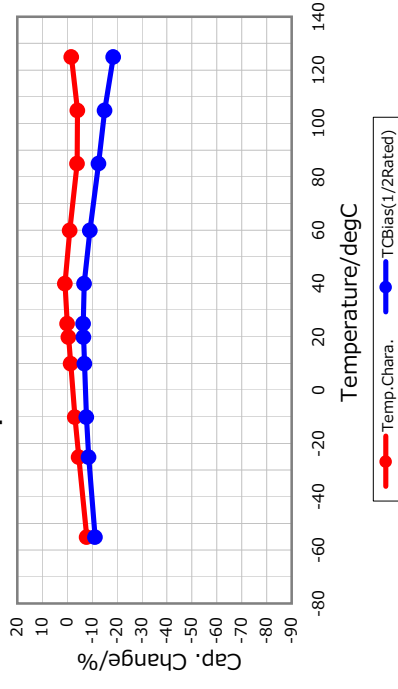
## |Z|, ESR vs. Freq. Characteristics



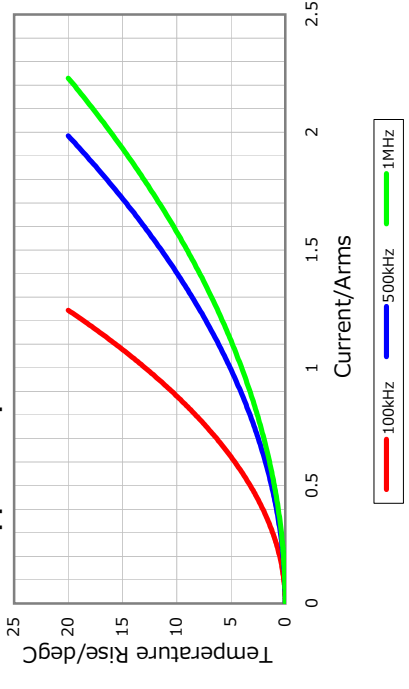
## Cap. vs. Freq. Characteristic



## Temperature Characteristics



## Ripple Temperature Rise Characteristics



## Dimensions

- L 3.20mm +/-0.4mm
- W 2.50mm +/-0.3mm
- T 1.60mm +/-0.2mm
- B 0.20mm Min.
- G

## Temperature Characteristic

X7R (-55 to 125 degC +/-15%)

## Rated Voltage

1H (50Vdc)

## Capacitance

470nF

## Capacitance Tolerance

K (+/-10%)

## Dissipation Factor

3% Max.

## Insulation Resistance

1.06Gohm Min.

## AEC-Q200

Not Applicable



All specifications are subject to change without notice.

January 4, 2016