

C3225X7S3D102M200AA

TDK Item Description : C3225X7S3D102MT****

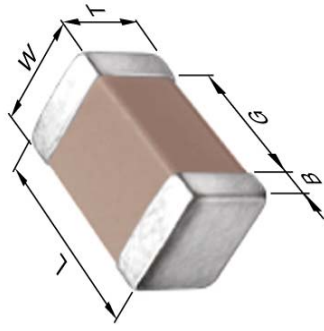


Application & Main Feature

Commercial Grade (High Voltage (1000V and over))

Series

C3225 [EIA CC1210]



Dimensions

L	3.20mm	+/-0.4mm
W	2.50mm	+/-0.3mm
T	2.00mm	+/-0.2mm
B	0.20mm Min.	
G		

Temperature Characteristic

X7S (-55 to 125 degC +/-22%)

Rated Voltage

3D (2000Vdc)

Capacitance

1nF

Capacitance Tolerance

M (+/-20%)

Dissipation Factor

3% Max.

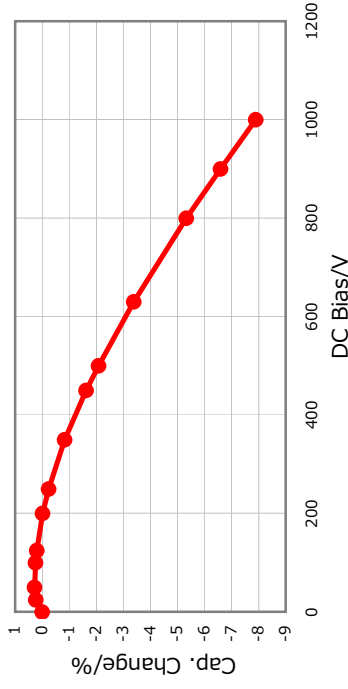
Insulation Resistance

10Gohm Min.

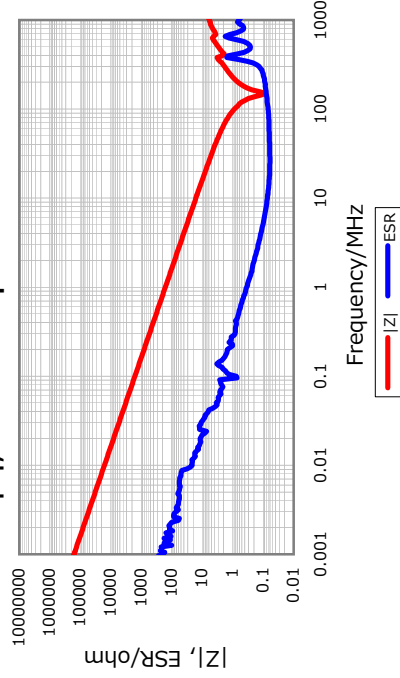
AEC-Q200

Not Applicable

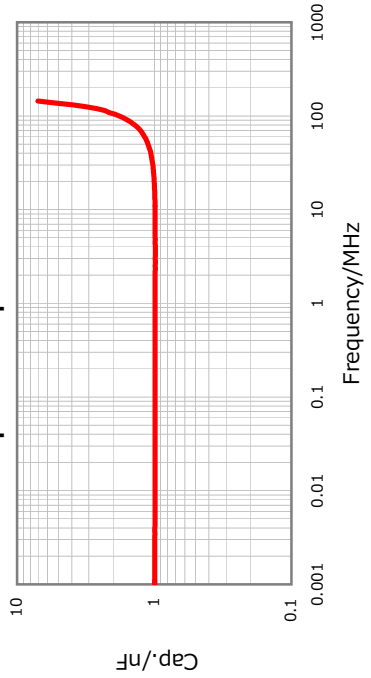
DC Bias Characteristic



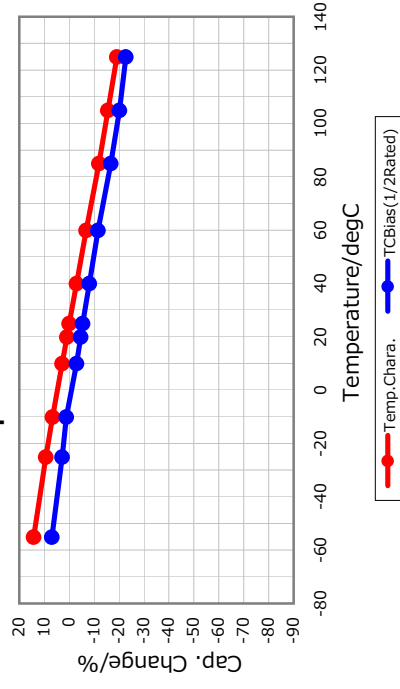
|Z|, ESR vs. Freq. Characteristics



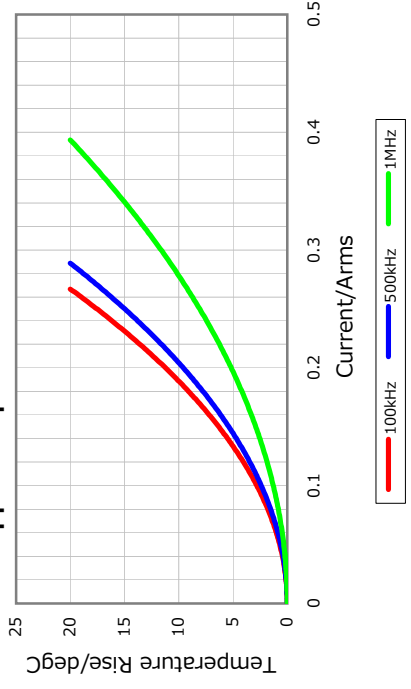
Cap. vs. Freq. Characteristic



Temperature Characteristic



Ripple Temperature Rise Characteristic



All specifications are subject to change without notice.

September 28, 2013