

# LQW2BAS6N8J00#

“#” indicates a package specification code.

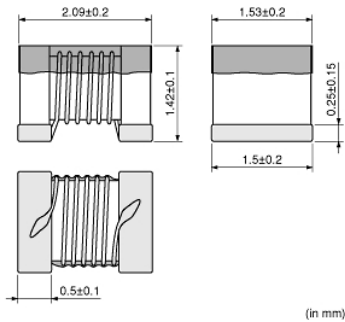
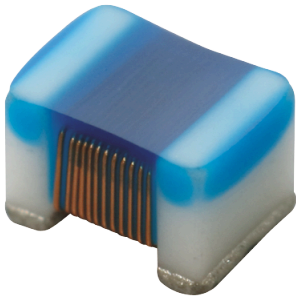
Size Code 2015 (0805) in mm (in inch), Horizontal Wound Type



< List of part numbers with package codes >

LQW2BAS6N8J00B      LQW2BAS6N8J00K      LQW2BAS6N8J00L

## Appearance & Shape



## References

Packaging	Specifications	Standard Packing Quantity
B	Bulk(Bag)	500
K	330Embossed Tape	8000
L	180Embossed Tape	2000

Mass (typ.)	
1 piece	0.014g

**Attention**

- 1.This datasheet is downloaded from the website of Murata Manufacturing Co., Ltd. Therefore, it's specifications are subject to change or our products in it may be discontinued without advance notice. Please check with our sales representatives or product engineers before ordering.
- 2.This datasheet has only typical specifications because there is no space for detailed specifications. Therefore, please review our product specifications or consult the approval sheet for product specifications before ordering.

# LQW2BAS6N8J00#

“#” indicates a package specification code.



## Specifications

L size	2.09±0.2mm
W size	1.53±0.2mm
T size	1.42±0.1mm
Size code inch (mm)	0805 (2015)
Inductance	6.8nH±5%
Inductance Test Frequency	250MHz
Rated current (Itemp) (Based on Temperature rise)	600mA
Max. of DC resistance	0.11Ω
Q(min.)	50
Q Test Frequency	1000MHz
Self resonance frequency (min.)	5600MHz
Operating Temperature Range(Self-temperature rise is not included)	-55°C to 125°C
Brand	Murata
Series	LQW2BAS_00

### Attention

1.This datasheet is downloaded from the website of Murata Manufacturing Co., Ltd. Therefore, it's specifications are subject to change or our products in it may be discontinued without advance notice. Please check with our sales representatives or product engineers before ordering.

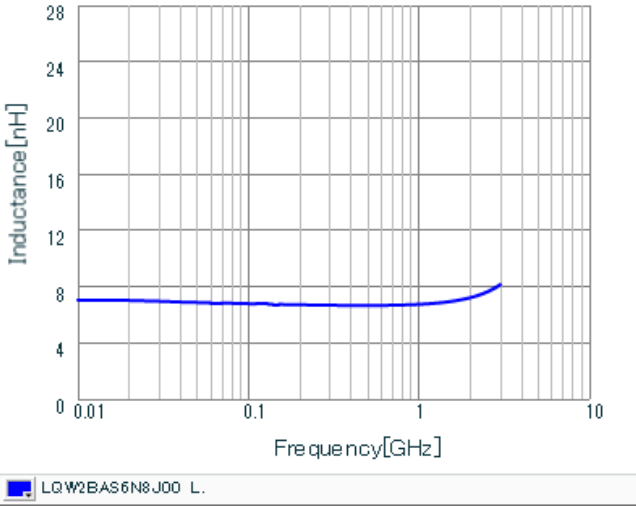
2.This datasheet has only typical specifications because there is no space for detailed specifications.

Therefore, please review our product specifications or consult the approval sheet for product specifications before ordering.

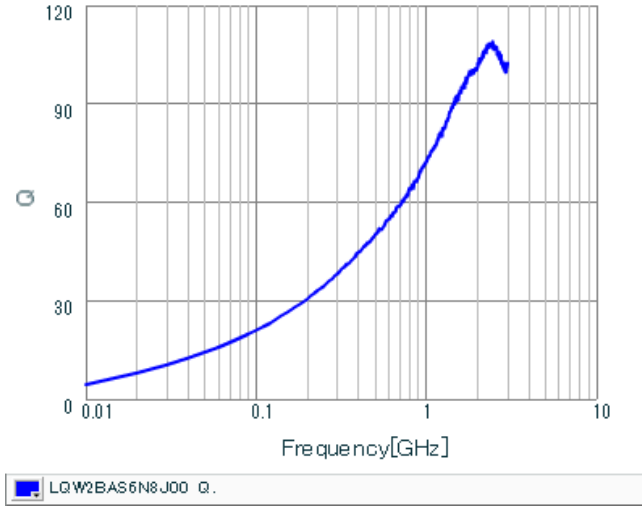
# LQW2BAS6N8J00#

"#" indicates a package specification code.

## Characteristic Data



Inductance - Frequency Characteristics



Q-Frequency Characteristics

**Attention**

- 1.This datasheet is downloaded from the website of Murata Manufacturing Co., Ltd. Therefore, it's specifications are subject to change or our products in it may be discontinued without advance notice. Please check with our sales representatives or product engineers before ordering.
- 2.This datasheet has only typical specifications because there is no space for detailed specifications. Therefore, please review our product specifications or consult the approval sheet for product specifications before ordering.