

# CGA4J2X7R1C105M125AD

TDK Item Description : CGA4J2X7R1C105MT\*\*\*B

Equivalent C2012X7R1C105M for Automotive

## Application & Main Feature

Automotive Grade ( Conductive Epoxy Application )

## Series

CGA4(2012) [EIA CC0805]

### Dimensions

L	2.00mm	+/-0.25mm
W	1.25mm	+/-0.25mm
T	1.25mm	+/-0.25mm
B	0.20mm	Min.
G	0.50mm	Min.

### Temperature Characteristic

X7R (-55 to 125 degC +/-15%)

### Rated Voltage

1C (16Vdc)

### Capacitance

1uF

### Capacitance Tolerance

M (+/-20%)

### Dissipation Factor

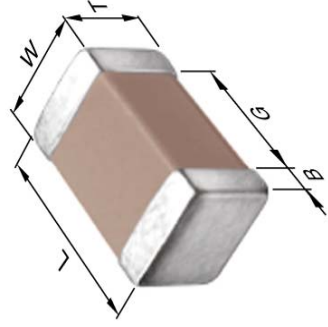
5% Max.

### Insulation Resistance

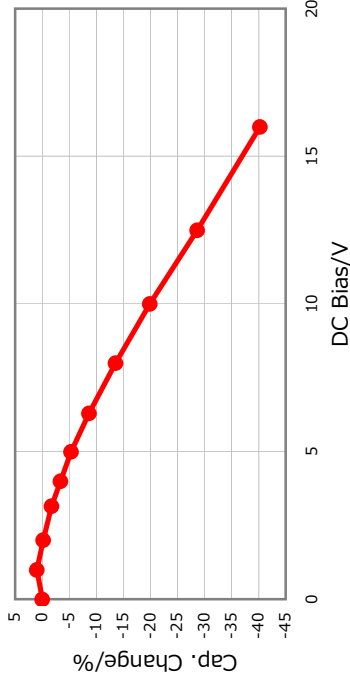
100Mohm Min.

### AEC-Q200

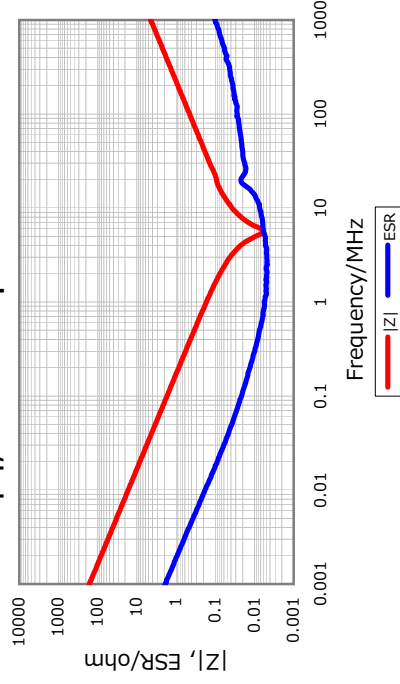
Yes



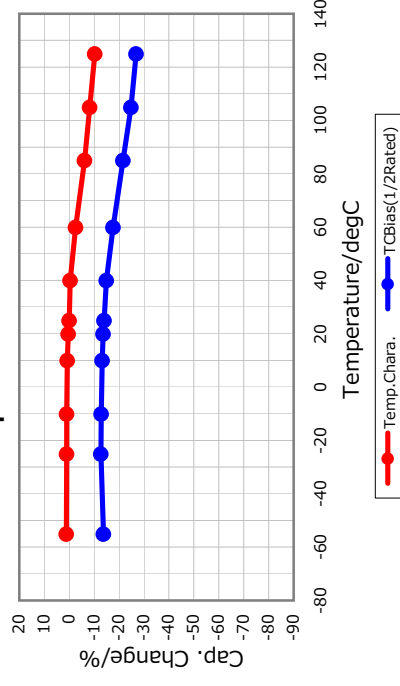
## DC Bias Characteristic



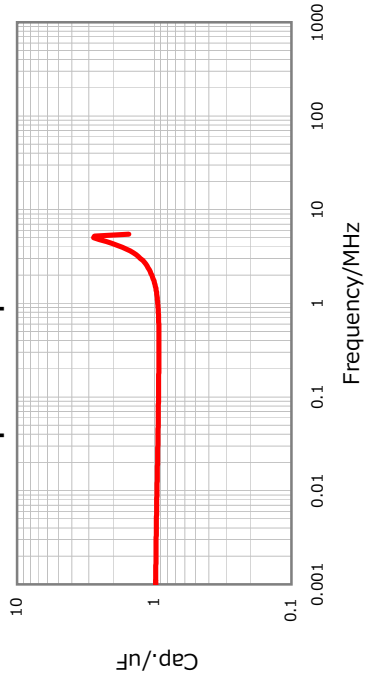
## |Z|, ESR vs. Freq. Characteristics



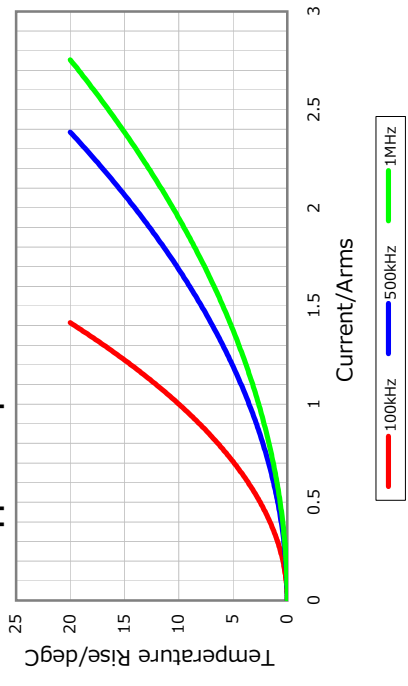
## Temperature Characteristics



## Cap. vs. Freq. Characteristic



## Ripple Temperature Rise Characteristics



All specifications are subject to change without notice.

January 4, 2016

