

C2012X7R2E152M085AA

TDK Item Description : C2012X7R2E152MT****

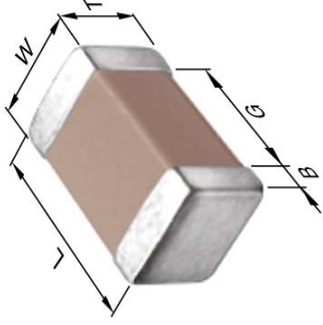


Application & Main Feature

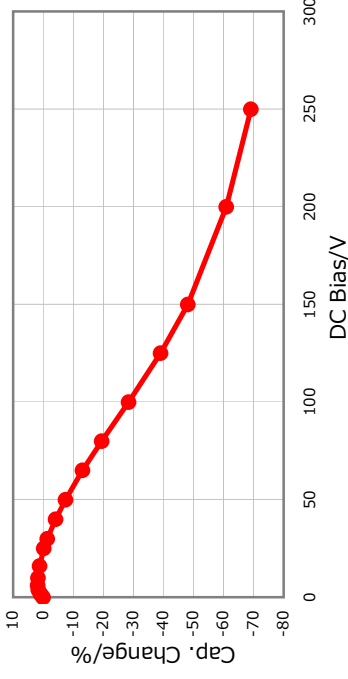
Commercial Grade (Mid Voltage (100 to 630V))

Series

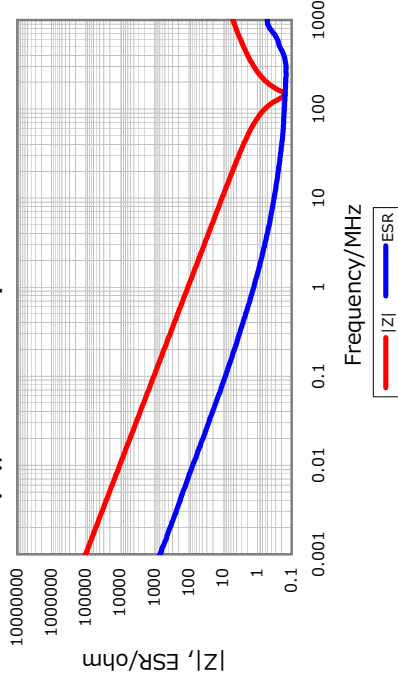
C2012 [EIA CC0805]



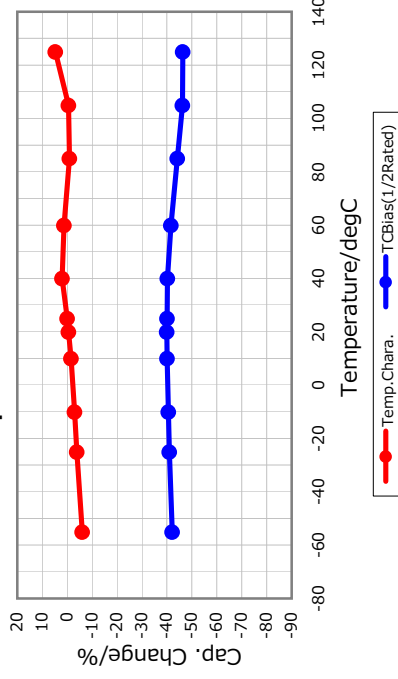
DC Bias Characteristic



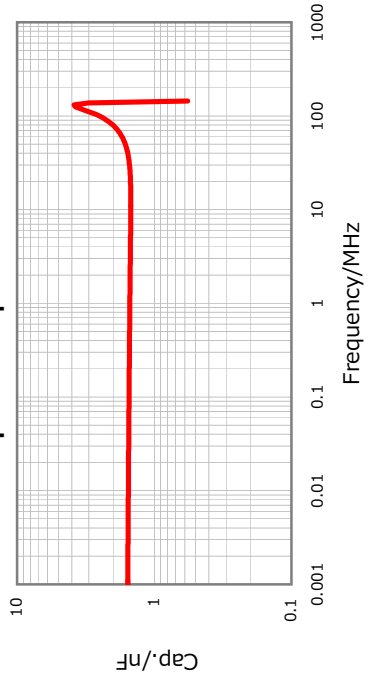
|Z|, ESR vs. Freq. Characteristics



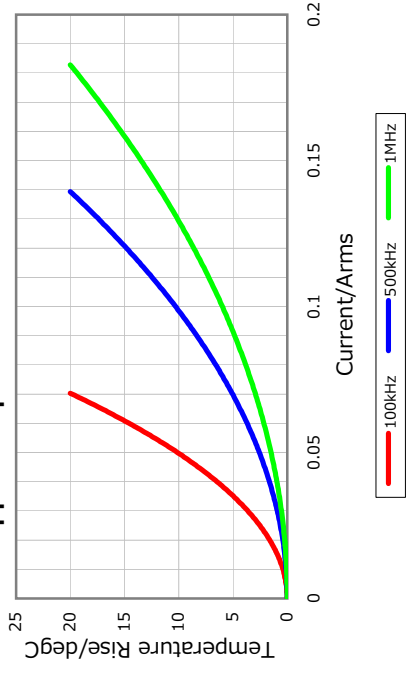
Temperature Characteristics



Cap. vs. Freq. Characteristic



Ripple Temperature Rise Characteristics



Dimensions

L	2.00mm	+/-0.2mm
W	1.25mm	+/-0.2mm
T	0.85mm	+/-0.15mm
B	0.20mm	Min.
G	0.50mm	Min.

Temperature Characteristic

X7R (-55 to 125 degC +/-15%)

Rated Voltage

2E (250Vdc)

Capacitance

1.5nF

Capacitance Tolerance

M (+/-20%)

Dissipation Factor

3% Max.

Insulation Resistance

10Gohm Min.

AEC-Q200

Not Applicable



All specifications are subject to change without notice.

January 3, 2016