

# C1608C0G2A821J080AA

TDK Item Description : C1608C0G2A821JT\*\*\*\*

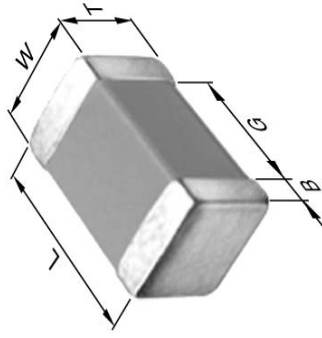


## Application & Main Feature

Commercial Grade ( Mid Voltage (100 to 630V) )

## Series

C1608 [EIA CC0603]



## Dimensions

|   |        |          |
|---|--------|----------|
| L | 1.60mm | +/-0.1mm |
| W | 0.80mm | +/-0.1mm |
| T | 0.80mm | +/-0.1mm |
| B | 0.20mm | Min.     |
| G | 0.30mm | Min.     |

## Temperature Characteristic

C0G (-55 to 125 degC 0+/-30ppm/degC)

## Rated Voltage

2A (100Vdc)

## Capacitance

820pF

## Capacitance Tolerance

J (+/-5%)

## Q Factor

1000 Min.

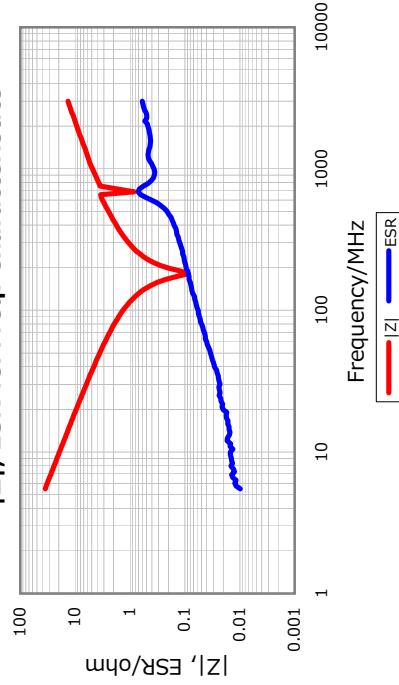
## Insulation Resistance

10Gohm Min.

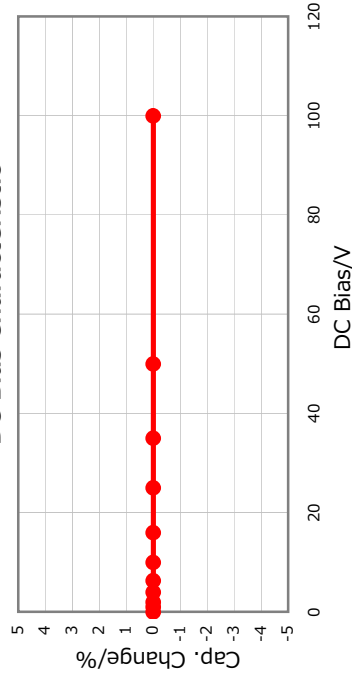
## AEC-Q200

Not Applicable

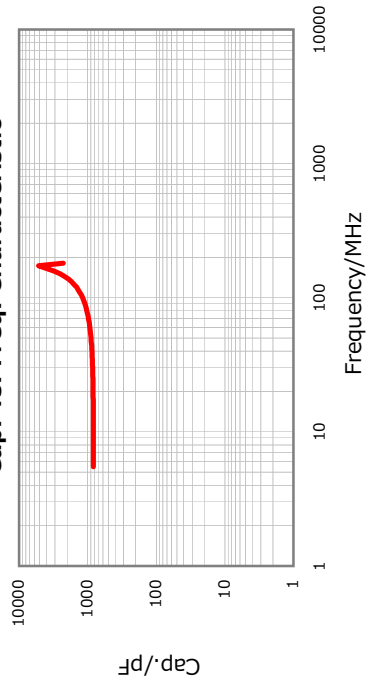
## |Z|, ESR vs. Freq. Characteristics



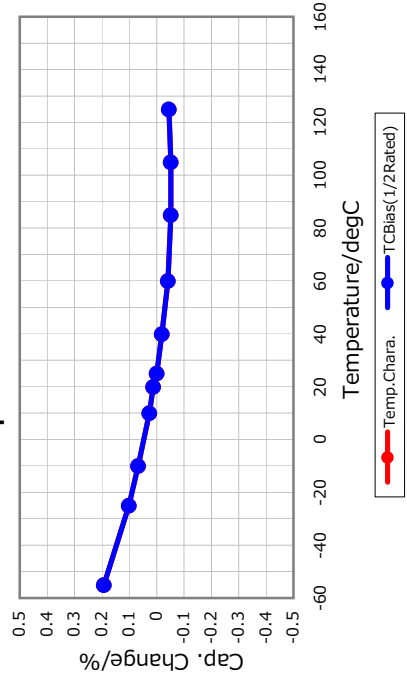
## DC Bias Characteristic



## Cap. vs. Freq. Characteristic



## Temperature Characteristics



All specifications are subject to change without notice.

January 3, 2016