

CGA6P3X8R1E475M250AB

TDK Item Description : CGA6P3X8R1E475MT*****

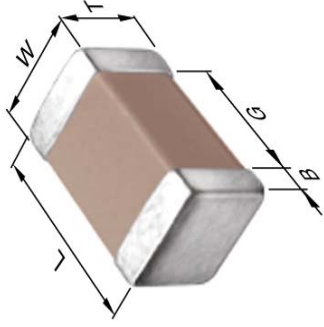


Application & Main Feature

Automotive Grade (High Temperature Application)

Series

CGA6(3225) [EIA CC1210]



Dimensions

L	3.20mm	+/-0.4mm
W	2.50mm	+/-0.3mm
T	2.50mm	+/-0.3mm
B	0.20mm Min.	
G		

Temperature Characteristic

X8R (-55 to 150 degC +/-15%)

Rated Voltage

1E (25Vdc)

Capacitance

4.7uF

Capacitance Tolerance

M (+/-20%)

Dissipation Factor

3% Max.

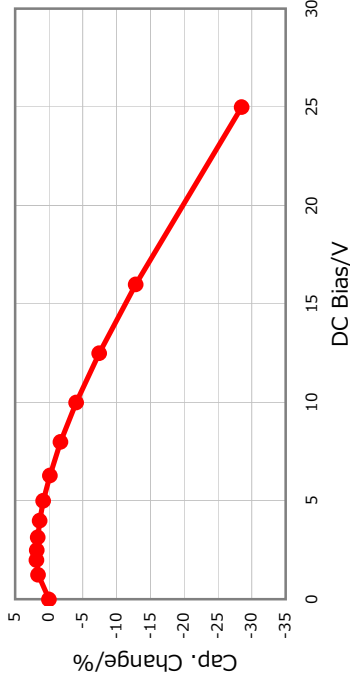
Insulation Resistance

106Mohm Min.

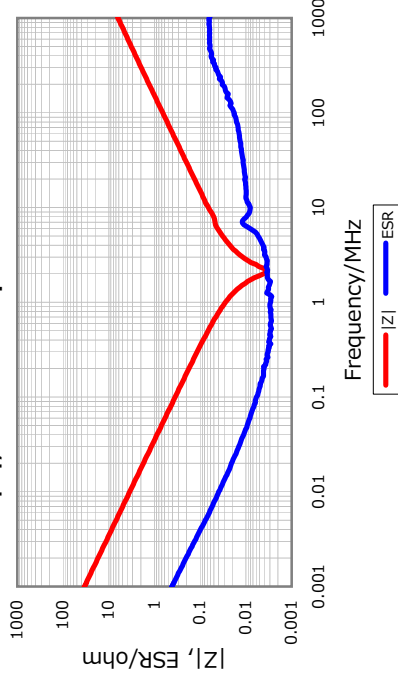
AEC-Q200

Yes

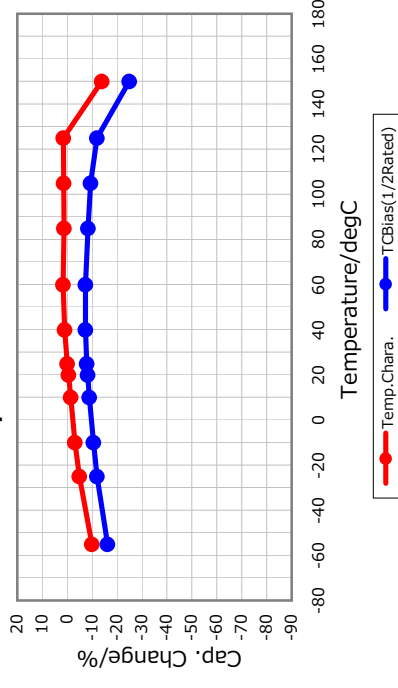
DC Bias Characteristic



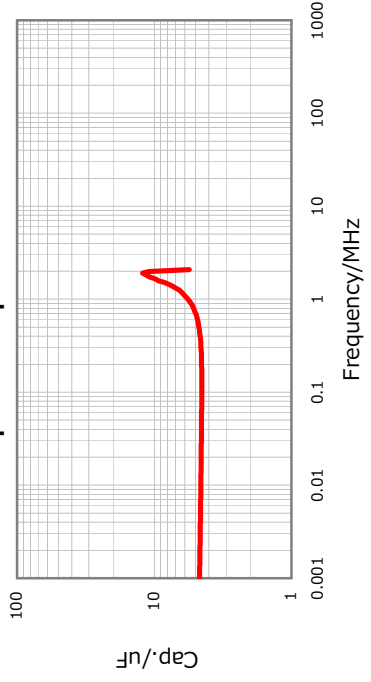
|Z|, ESR vs. Freq. Characteristics



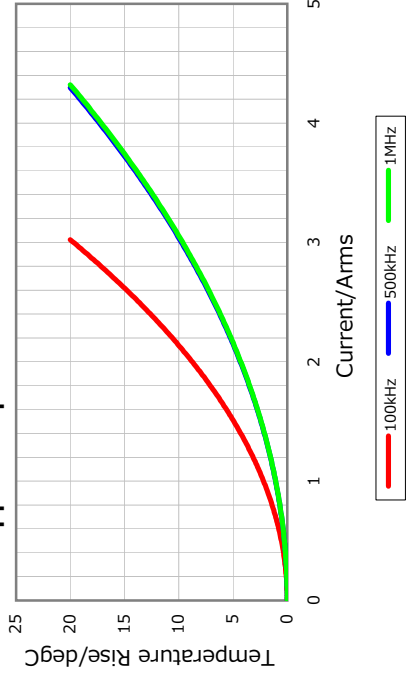
Temperature Characteristics



Cap. vs. Freq. Characteristic



Ripple Temperature Rise Characteristics



All specifications are subject to change without notice.

January 4, 2016