

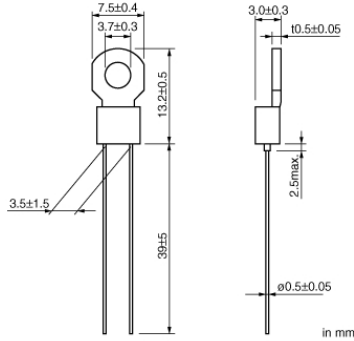
# PTFM04BE222Q2N34BS

To be discontinued

RoHS

REACH

## Appearance & Shape



## Features

1. PTFM\_S Series is fixed easily because of a screw clamp type.
2. Compact and light design as well as excellent thermal response.
3. Contactless operation provides a prolonged service life, yet permits noiseless operation.
4. The operating point of "POSISTOR" is set on the steepest point along the resistance-temperature characteristic curve, thus performing the overheat protective operation securely.
5. PTFM\_S Series is certified by UL/cUL/VDE. It is suitable for a powersupply, etc, required the safety standard.

## Applications

|               |                |
|---------------|----------------|
| Limited Usage | Consumer Grade |
|---------------|----------------|

## Packaging Information

| Packaging | Specifications | Standard Packing Quantity |
|-----------|----------------|---------------------------|
| BS        | Bulk(Bag)      | 200                       |

### Attention

1. This datasheet is downloaded from the website of Murata Manufacturing Co., Ltd. Therefore, its specifications are subject to change or our products in it may be discontinued without advance notice. Please check with our sales representatives or product engineers before ordering.
2. This datasheet has only typical specifications because there is no space for detailed specifications. Therefore, please review our product specifications or consult the approval sheet for product specifications before ordering.

# PTFM04BE222Q2N34BS

## Specifications

|  |                |
|--|----------------|
| Max. Voltage                             | 16V            |
| Sensing Temperature                      | 90°C           |
| Measure Condition of Sensing Temperature | TS°C           |
| Resistance (25°C)                        | 330Ω           |
| Resistance Value Tolerance (at 25°C)     | max.           |
| Resistance                               | 1.5kΩ          |
| Measure Condition of Resistance          | max.(TS-10°C)  |
| Resistance Value(2)                      | 2.2kΩ          |
| Measure Condition of Resistance(2)       | min.(TS°C)     |
| Operating Temperature Range              | -10°C to 100°C |
| Shape                                    | Lead           |
| Mass                                     | 0.62g          |
| MSL                                      | N              |

### Attention

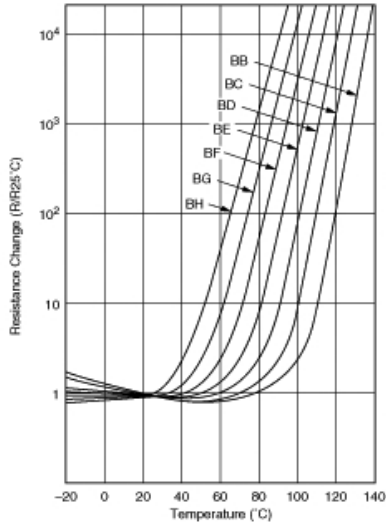
1.This datasheet is downloaded from the website of Murata Manufacturing Co., Ltd. Therefore, it's specifications are subject to change or our products in it may be discontinued without advance notice. Please check with our sales representatives or product engineers before ordering.

2.This datasheet has only typical specifications because there is no space for detailed specifications.

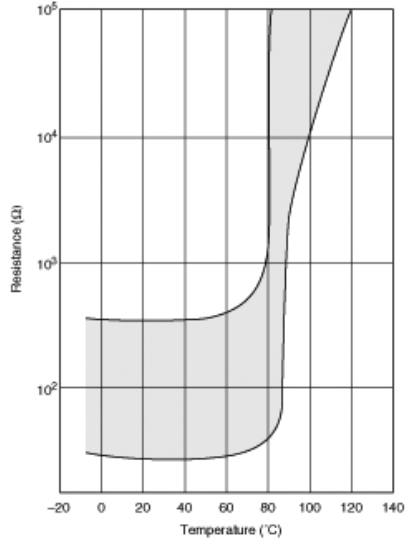
Therefore, please review our product specifications or consult the approval sheet for product specifications before ordering.

# PTFM04BE222Q2N34BS

## Product Data



Resistance-Temperature Characteristics



Resistance-Temperature Characteristics Range

**Attention**

- 1.This datasheet is downloaded from the website of Murata Manufacturing Co., Ltd. Therefore, it's specifications are subject to change or our products in it may be discontinued without advance notice. Please check with our sales representatives or product engineers before ordering.
- 2.This datasheet has only typical specifications because there is no space for detailed specifications. Therefore, please review our product specifications or consult the approval sheet for product specifications before ordering.