

# C1608X8R2A682M080AA

TDK Item Description : C1608X8R2A682MT\*\*\*\*



## Application & Main Feature

Commercial Grade ( High Temperature Application )

## Series

C1608 [EIA CC0603]

### Dimensions

L	1.60mm	+/-0.1mm
W	0.80mm	+/-0.1mm
T	0.80mm	+/-0.1mm
B	0.20mm	Min.
G	0.30mm	Min.

### Temperature Characteristic

X8R (-55 to 150 degC +/-15%)

### Rated Voltage

2A (100Vdc)

### Capacitance

6.8nF

### Capacitance Tolerance

M (+/-20%)

### Dissipation Factor

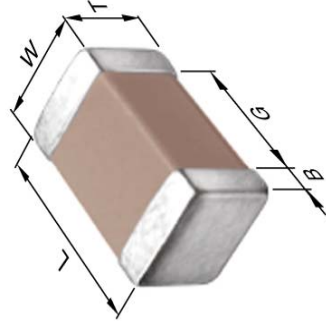
3% Max.

### Insulation Resistance

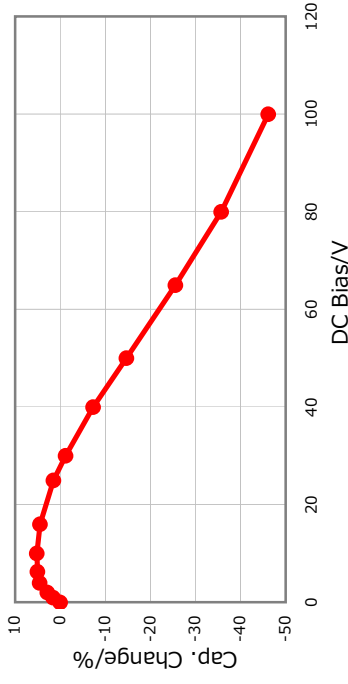
10Gohm Min.

### AEC-Q200

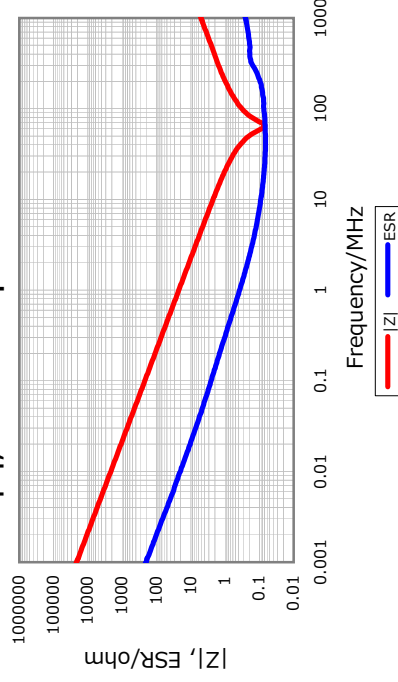
Not Applicable



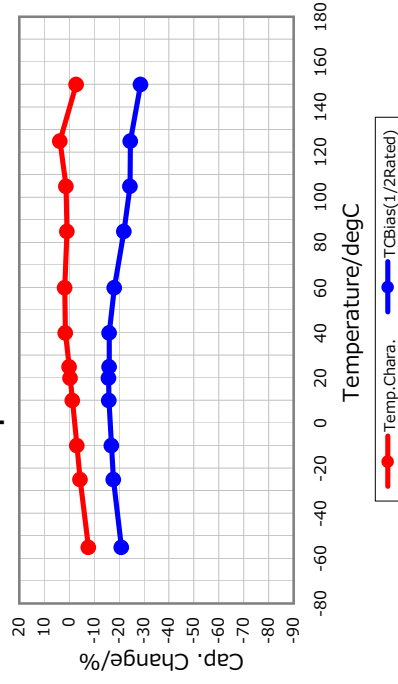
## DC Bias Characteristic



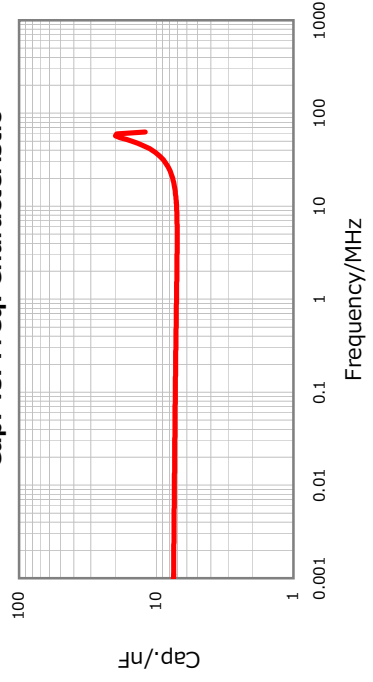
## |Z|, ESR vs. Freq. Characteristics



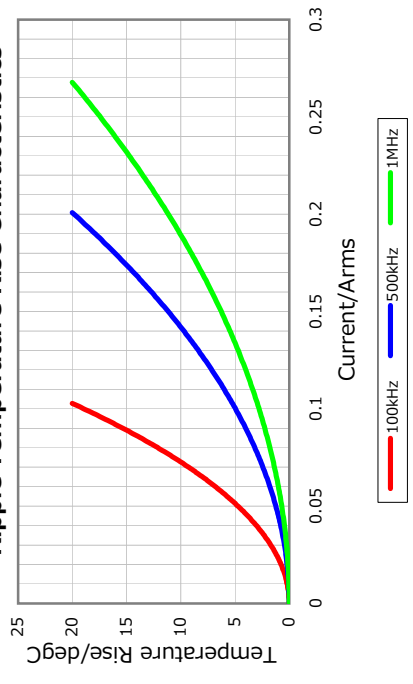
## Temperature Characteristics



## Cap. vs. Freq. Characteristic



## Ripple Temperature Rise Characteristics



All specifications are subject to change without notice.

January 3, 2016