

# CGA5L2X8R1H474M160AD

TDK Item Description : CGA5L2X8R1H474MT\*\*\*B

Equivalent C3216X8R1H474M for Automotive

## Application & Main Feature

Automotive Grade ( Conductive Epoxy Application )

## Series

CGA5(3216) [EIA CC1206]

## Dimensions

L	3.20mm	+0.3,-0.1mm
W	1.60mm	+0.3,-0.1mm
T	1.60mm	+0.3,-0.1mm
B	0.20mm	Min.
G	1.00mm	Min.

## Temperature Characteristic

X8R (-55 to 150 degC +/-15%)

## Rated Voltage

1H (50Vdc)

## Capacitance

470nF

## Capacitance Tolerance

M (+/-20%)

## Dissipation Factor

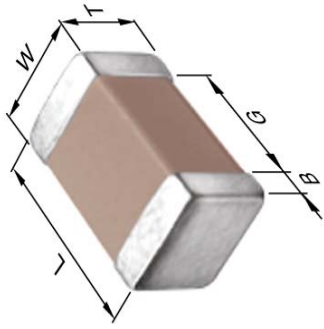
3% Max.

## Insulation Resistance

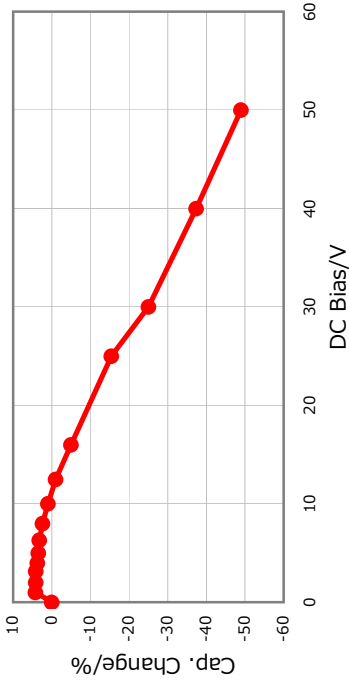
1.06Gohm Min.

## AEC-Q200

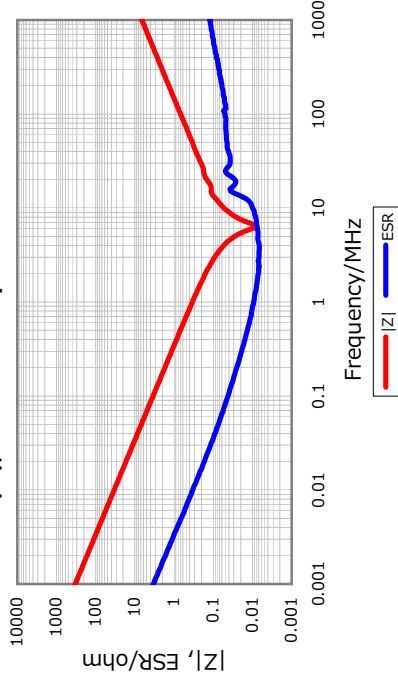
Yes



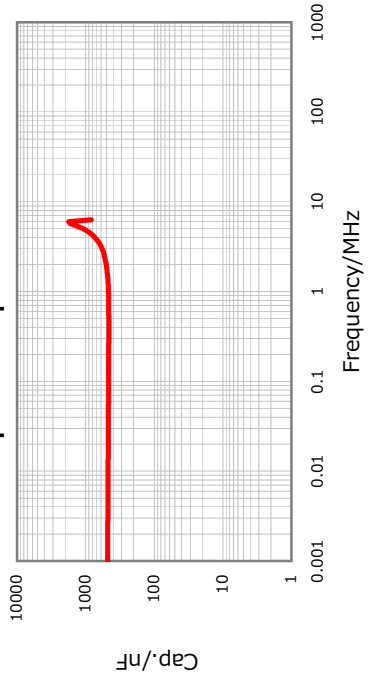
## DC Bias Characteristic



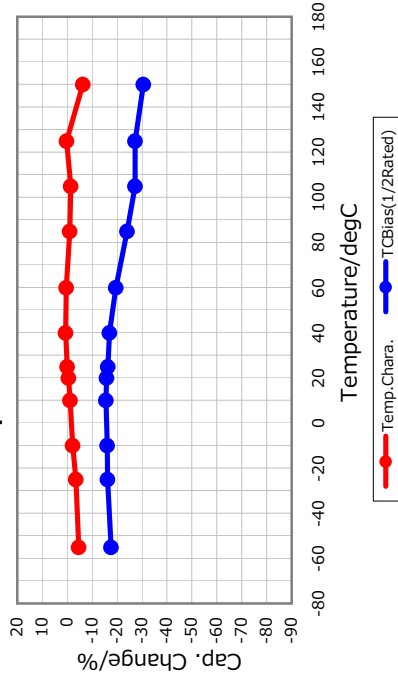
## |Z|, ESR vs. Freq. Characteristics



## Cap. vs. Freq. Characteristic



## Temperature Characteristics



## Ripple Temperature Rise Characteristics

