

CGJ5H4X7T2H223K115AA

TDK Item Description : CGJ5H4X7T2H223KT*****

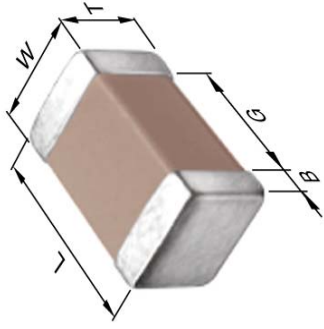


Application & Main Feature

High Reliability Grade (Mid Voltage (100 to 630V))

Series

CGJ5(3216) [EIA CC1206]



Dimensions

L	3.20mm	+/-0.2mm
W	1.60mm	+/-0.2mm
T	1.15mm	+/-0.15mm
B	0.20mm	Min.
G	1.00mm	Min.

Temperature Characteristic

X7T (-55 to 125 degC +22,-33%)

Rated Voltage

2H (500Vdc)

Capacitance

22nF

Capacitance Tolerance

K (+/-10%)

Dissipation Factor

2.5% Max.

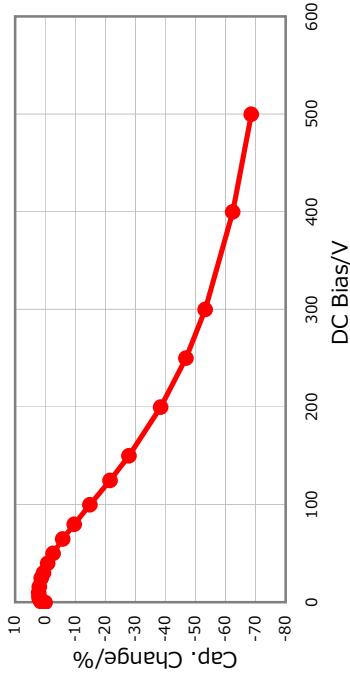
Insulation Resistance

10Gohm Min.

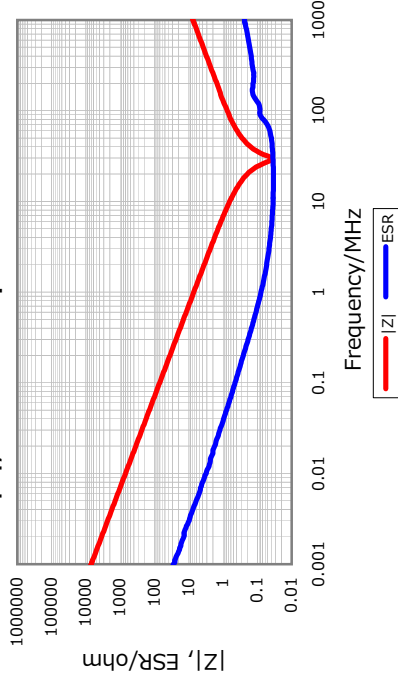
AEC-Q200

Yes

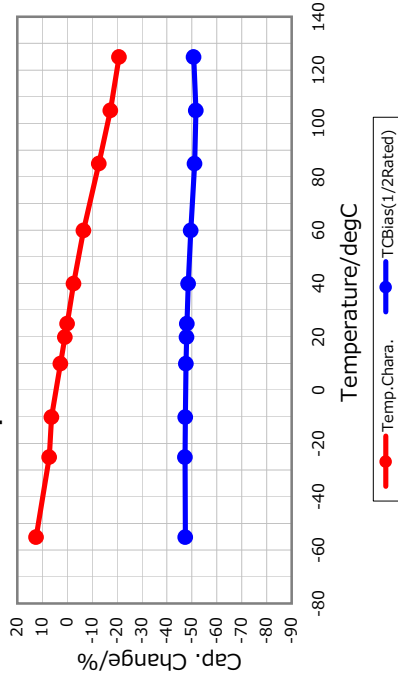
DC Bias Characteristic



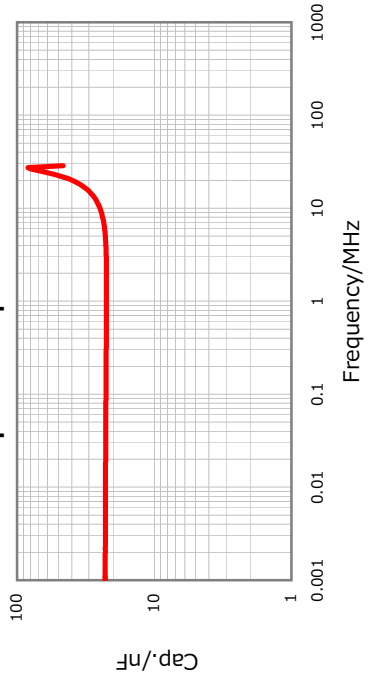
|Z|, ESR vs. Freq. Characteristics



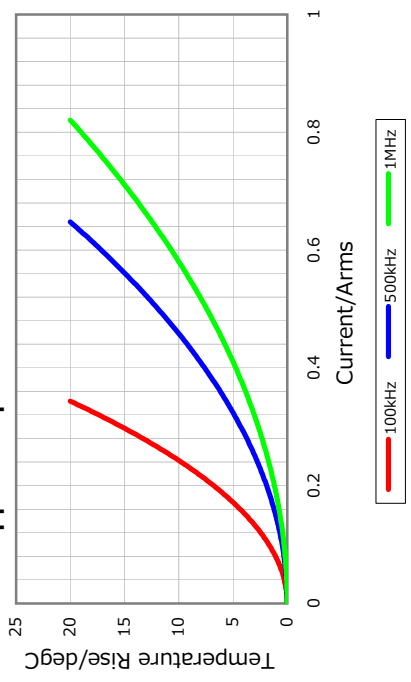
Temperature Characteristics



Cap. vs. Freq. Characteristic



Ripple Temperature Rise Characteristics



All specifications are subject to change without notice.

January 4, 2016