

CGA3E2C0G2A040C080AA

TDK Item Description : CGA3E2C0G2A040CT*****

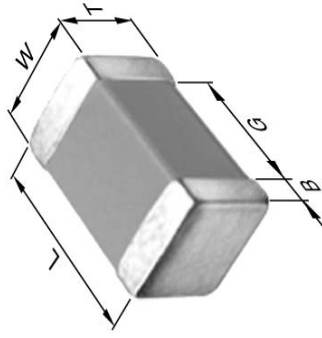
Equivalent C1608C0G2A040C for Automotive

Application & Main Feature

Automotive Grade (Mid Voltage (100 to 630V))

Series

CGA3(1608) [EIA CC0603]



Dimensions

| | | |
|---|--------|----------|
| L | 1.60mm | +/-0.1mm |
| W | 0.80mm | +/-0.1mm |
| T | 0.80mm | +/-0.1mm |
| B | 0.20mm | Min. |
| G | 0.30mm | Min. |

Temperature Characteristic

C0G (-55 to 125 degC 0+/-30ppm/degC)

Rated Voltage

2A (100Vdc)

Capacitance

4pF

Capacitance Tolerance

C (+/-0.25pF)

Q Factor

480 Min.

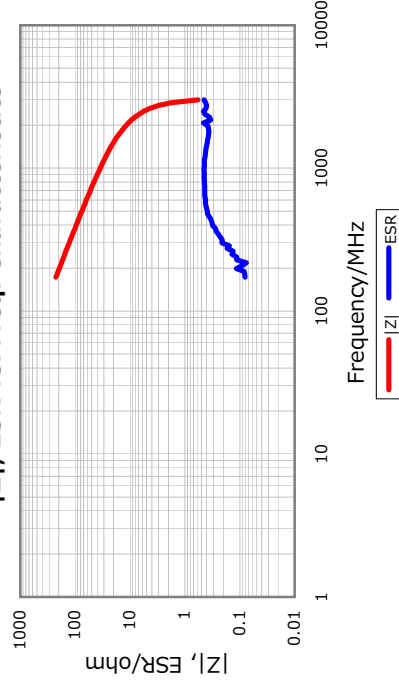
Insulation Resistance

10Gohm Min.

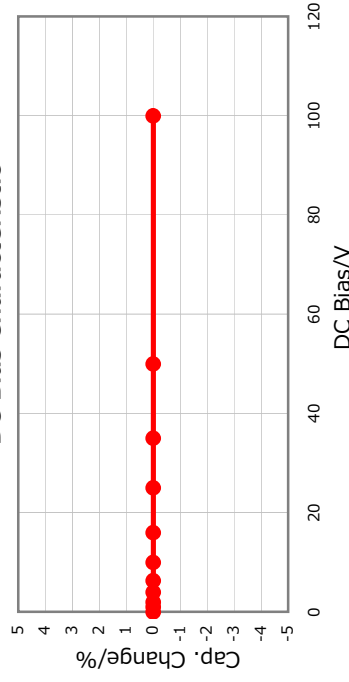
AEC-Q200

Yes

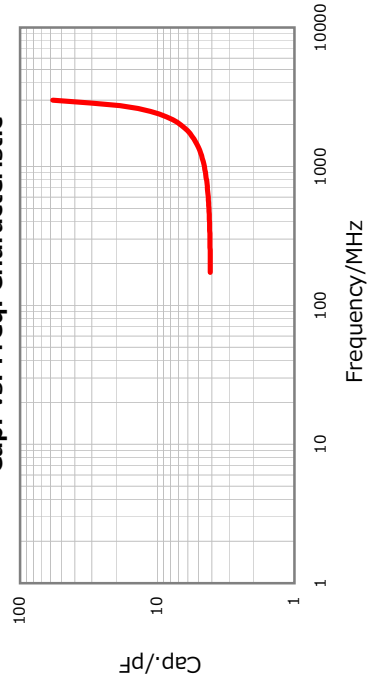
|Z|, ESR vs. Freq. Characteristics



DC Bias Characteristic



Cap. vs. Freq. Characteristic



Temperature Characteristics

